

| REV. | ECR   | DESCRIPTION             | DATE       |
|------|-------|-------------------------|------------|
| -    | 15320 | INITIAL DRAWING REQUEST | 06/29/2018 |

**SPECIFICATION:**

TYPICAL INPUT VOLTAGE RANGE: 10.0 - 16.0VDC

TYPICAL CURRENT DRAW: 2.0 - 3.6A

OPERATING TEMPERATURE RANGE -30C TO 50C

**CERTIFICATION:**

SAE J845 CLASS 1 - NOT MARKED IN PRODUCT

*\*MODEL MEETS OR EXCEEDS SAE REQUIREMENTS WHEN OPERATED IN ONE OF THE APPROVED SAE PATTERNS\**

**CONNECTIONS: 11.0" +/- 1**

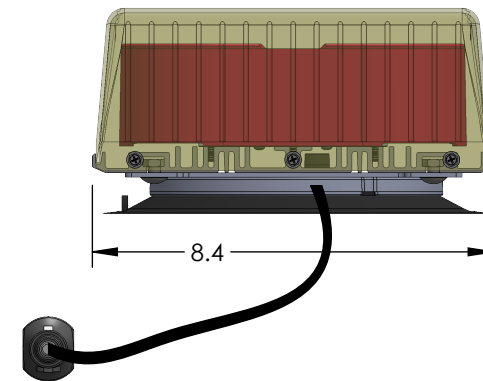
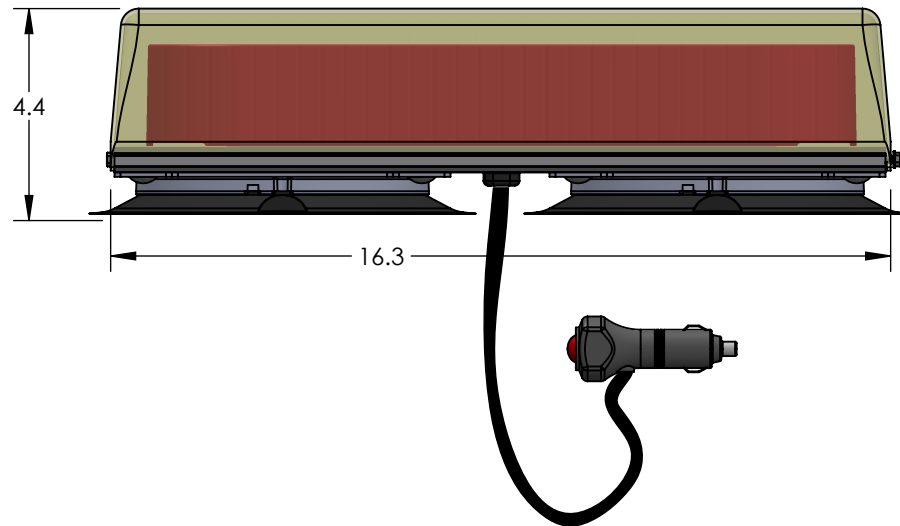
CIG PLUG w/SWITCH

**MAGNET MOUNT:**

VACUUM MAGNET (2)

**INSTRUCTION SHEET:**

1 PROVIDED



**UNLESS OTHERWISE SPECIFIED**

DIMENSIONS ARE IN INCHES

TOLERANCES:

ANGULAR: ± 2 DEG.

.X ± .100

.XX ± .020

.XXX ± .005

.XXXX ± .001

RoHS COMPLIANT: No

MATERIAL:

N/A

FINISH:

N/A

DRAWN BY: TA  
DRAWING APPROVED BY ECR

THE INFORMATION CONTAINED IN THIS DRAWING IS THE SOLE PROPERTY OF STAR HEADLIGHT & LANTERN CO., INC.. ANY REPRODUCTION IN PART OR AS A WHOLE WITHOUT THE WRITTEN PERMISSION OF STAR HEADLIGHT & LANTERN CO., INC. IS STRICTLY PROHIBITED.

**STAR HEADLIGHT & LANTERN CO., INC.**

455 Rochester St. Avon NY 14414  
Ph:(585) 226-9500 Fax: (585) 226-2029

MODEL: 9016LEDV-\*

TITLE:  
M-TECH REFLECTOR MINBAR VAC MAG MOUNT

DWG. NO. 9016LEDV REV 002 REV -

SCALE: 1:8 DO NOT SCALE FROM DRAWING SHEET 1 OF 1