



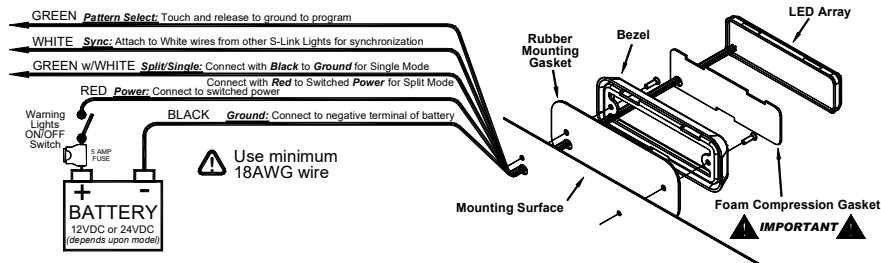
DLXT Thinline Auxiliary LED Lights



DLXT-121* or DLXT-241*****
(12 VDC) (24 VDC)

DLXT-124* or DLXT-244*****
(12 VDC) (24 VDC)

Quick Install Guide



Pattern Programming and Synchronization

You can synchronize up to six lights with **S-LINK SYSTEM** compatibility.

DO NOT CONNECT WHITE WIRES UNTIL PROGRAMMING HAS BEEN COMPLETED FOR ALL LIGHTS!!

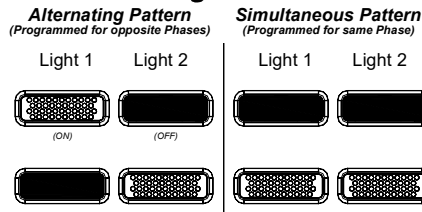
- Power up the first unit and select a Phase 1 pattern. Touch and release the green wire to ground to change patterns.
- Program the second light with the same **Pattern Type**.
Lights with the SAME phase flash together (simultaneous).
Lights with DIFFERENT phases flash opposite one another (alternate).
- After programming all lights, tie off the green wires and connect the white wires together.
- Test lights by applying power to all of them at the same time.

Flash Pattern #	Phase 1	Phase 2	Pattern Type	S-LINK SYSTEM Pattern Description	Shortcut
1	11	A	A	Fast Singleflash (1.9 CPS)	←
2	12	B	B	Flicker flash (1.7 CPS)	Pattern 1 (Phase 1): 3 sec or 1 flash
3	13	C	C	Post pop (1.4 CPS)	
4	14	D	D	PSU-flicker (0.4 CPS)	
5	15	E	E	Random (1.9 CPS) (DEFAULT PATTERN)	Pattern 11 (Phase 2): 9 sec or 3 flashes
6	16	F	F	Quadflash (1.0 CPS)	←
7	17	G	G	Quadflash w/Post-Pop (1.0 CPS)	Pattern 6 (Phase 1): 6 Sec or 2 flash
8	18	H	H	Singleflash (1.0 CPS)	
9	19	I	I	Doubleflash (1.0 CPS)	Pattern 16 (Phase 2): 12 sec or 4 flashes
10	20	J	J	Delta-Omega (0.3 CPS)	
N/A				Steady (see below)	18 sec or 6 flashes

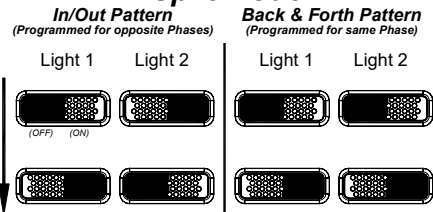
Pattern Shortcuts: Hold Green wire to ground for indicated time.

Steady Burn: Not in pattern cycle. Only accessible through shortcut. Hold Green wire to ground for 18 seconds (light will flash 6 times).

Single Mode



Split Mode



Installation Notes

- The installer must have a firm knowledge of basic electricity, vehicle electrical systems, and emergency equipment.
- If you need to drill any holes when installing this light, please take care to check that BOTH SIDES of your drilling surface are clear from obstructions, to ensure that you do not damage your vehicle and or pre-existing wiring.
- Choose a mounting location away from any air bag deployment areas.
- Controls should be placed within convenient reach of the driver.
- Use only soap and water when cleaning this product. Use of other chemicals may discolor the lens and/or housing, thus diminishing the output of the light. Lenses that have become discolored should be replaced immediately!
- DO NOT use a pressure washer to clean this light. Use of a pressure washer may damage the light and WILL VOID THE WARRANTY.

Wiring Notes



When wiring your lights, it is recommended that you take the following precautions to reduce any Electromagnetic Interference (EMI).

- Keep LED modules and any radios as far away from each other as possible.
- Separate the radio wires and the LED wires.
- Any excess wires should be cut short.
- The Ground, Power, and Synchronization wires should be bound tightly together as they run from light to light, through your switchbox, and finally to the battery.
- Do not ground each unit independently to the chassis. Run the ground for each unit in a "bus" like structure, to the negative terminal on the battery.



Power MUST be applied to all synchronized lights simultaneously. Excessive switch bounce or attempting to power the units up independently will result in erratic operation.

Steady Burn Programming

Programming Steady Burn Pattern in Single Mode:

1. Power the light up - Red wire to power
Black wire and Green/White wire to Ground.
2. Hold Green wire to Ground until the light blinks six times (approximately 18 seconds), then release it. The light should change to the Steady Burn pattern.
3. To exit Steady Burn pattern: Touch and release the Green wire to Ground.

Programming Steady Burn Pattern in Split Mode:

1. Power the light up (both Red and Green/White wire to power). Touch and hold the Green wire to Ground until the light blinks six times (approximately 18 seconds), then release it. One of the two halves will become steady, while the other flashes.
2. To change the pattern on the flashing side, touch and release the Green wire to Ground.
3. To flip-flop the steady side and the flashing sides, hold the Green wire to Ground until the light flashes 5 times (approximately 15 seconds) and then release it.
4. To exit Steady Burn pattern: Touch and release the Green wire to Ground.

Surface Mounting Instructions

Please Note: These instructions are provided as a general guideline only. **Some vehicles may require special mounting, wiring, and/or weather-sealing. This is the sole responsibility of the installer.** Star Headlight & Lantern Co., Inc. assumes no responsibility for the integrity of the installation for this or any of its products.

Rubber Mounting Gasket (P30047-123)

1. Use the gasket as a template to mark your mounting holes.

Mark Screw Holes

- Drill $\frac{1}{8}$ " Holes for Self Tapping Screws
- Drill $\frac{3}{16}$ " Holes if Using Rubber Well Nuts



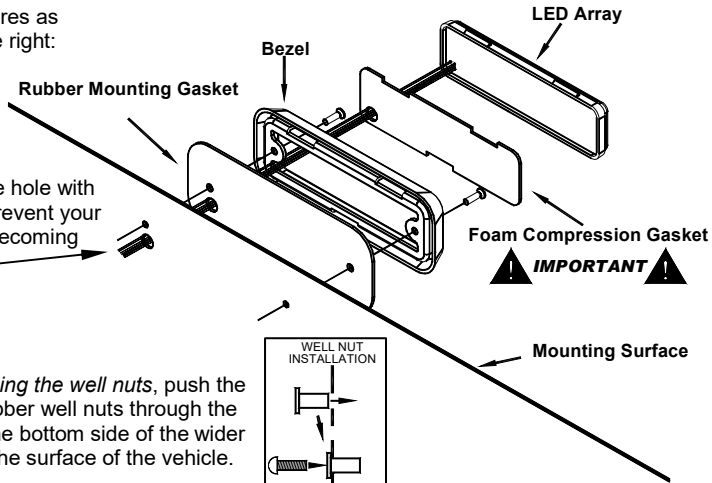
Mark Wire Hole

- Drill $\frac{3}{8}$ " Hole to Route Wires Through



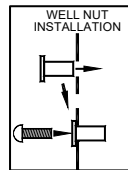
2. Determine whether you are going to use the self-tapping screws or the machine screws and well nuts..
 - Use the self tapping screws for applications where the mounting surface is a minimum of .060" (1/16") thick and is composed of a material that will provide sufficient "bite" for the self tapping screw.
 - Use the machine screws and well nuts if your surface is less than .060" thick and/or composed of a material insufficient for securing with self tapping screws.

3. Route the wires as shown to the right:



4. Seal the wire hole with silicone to prevent your wires from becoming damaged.

5. *If you are using the well nuts*, push the enclosed rubber well nuts through the holes until the bottom side of the wider lip rests on the surface of the vehicle.



6. Review the mounting diagram and use the appropriate screws to mount the bezel.



- **Check the gasket to ensure it is resting flat and that there are no gaps between the light and the mounting surface.**
- **Take extreme caution not to over tighten the screws!!! Over tightening of the screws can strip the holes and result in a faulty mount.**

7. Once the bezel is firmly attached to the mounting surface, seat the foam compression gasket inside of it. Carefully feed any loose wire into the wire hole and press the LED head into the bezel.

Important: This product is used to **warn** traffic. Improper use may result in vehicular collision, personal injury and/or death. Star Headlight & Lantern Co., Inc., and its subsidiaries shall not be held responsible for damages directly or indirectly caused by improper use of this product.

LED FIVE YEAR LIMITED WARRANTY

The manufacturer warrants this LED light against factory defects in material and workmanship for five years after the date of purchase. The owner will be responsible for returning to the Service Center any defective item(s) with the transportation costs prepaid. The manufacturer will, without charge, repair or replace *at its option*, products, or part(s), which its inspection determines to be defective. Repaired or replacement item(s) will be returned to the purchaser with transportation costs prepaid from the service point. A copy of the purchaser's receipt must be returned with the defective item(s) in order to qualify for the warranty coverage. Exclusions from this warranty include, but are not limited to, dimes, and/or the finish. This warranty shall not apply to any light, which has been altered, such that in the manufacturer's judgment, the performance or reliability has been affected, or if any damage has resulted from abnormal use or service.

There are no warranties expressed or implied (including any warranty of merchantability or fitness), which extend this warranty period. **The loss of use of the product, loss of time, inconvenience, commercial loss or consequential damages, including costs of any labor, are not covered.** The manufacturer reserves the right to change the design of the product without assuming any obligation to modify any product previously manufactured.

This warranty gives you specific legal rights. You might also have additional rights that may vary from state to state. Some states do not allow limitations on how long an implied warranty lasts. Some states do not allow the exclusion or limitation of incidental or consequential damages. Therefore, the above limitation(s) or exclusion(s) may not apply to you.

If you have any questions concerning this or any other product, please contact our **Customer Service Department** at (585) 226-9787.

If a product must be returned for any reason, please contact our Customer Service Department to obtain a Returned Material Authorization number (RMA #) before you ship the product back. Please write the RMA # clearly on the package near the mailing label.



PROUDLY MADE IN THE USA
An ISO 9001:2008 Certified Company

NOTICE

Due to continuous product improvements, we must reserve the right to change any specifications and information, contained in this manual at any time without notice. Star Headlight & Lantern Co., Inc. makes no warranty of any kind with regard to this manual, including, but not limited to, the implied warranties of merchantability and fitness for a particular purpose. Star Headlight & Lantern Co., Inc. shall not be liable for errors contained herein or for incidental or consequential damages in connection with the furnishing, performance, or use of this manual.



Star Headlight & Lantern Co., Inc.

455 Rochester Street Avon, NY 14414 Phone: 585-226-9787 FAX: 888-478-2797



www.starheadlight.com