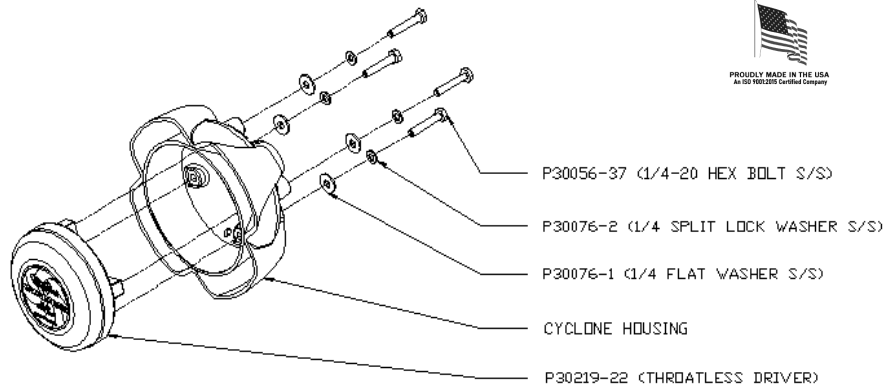
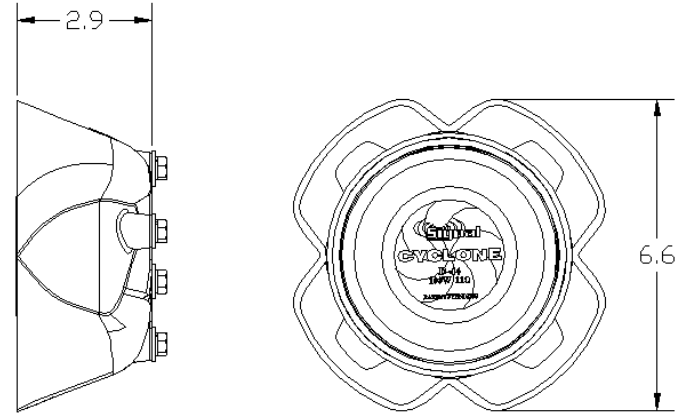


Model D-44 CYCLONE Speaker



IMPORTANT!
Speaker must be mounted with
drain hole/wiring exit facing down.
Failure to do so will void warranty!



WARNING: ALWAYS WEAR HEARING PROTECTION PER OSHA 1910.95

STAR

Safety Technologies by *Crote*

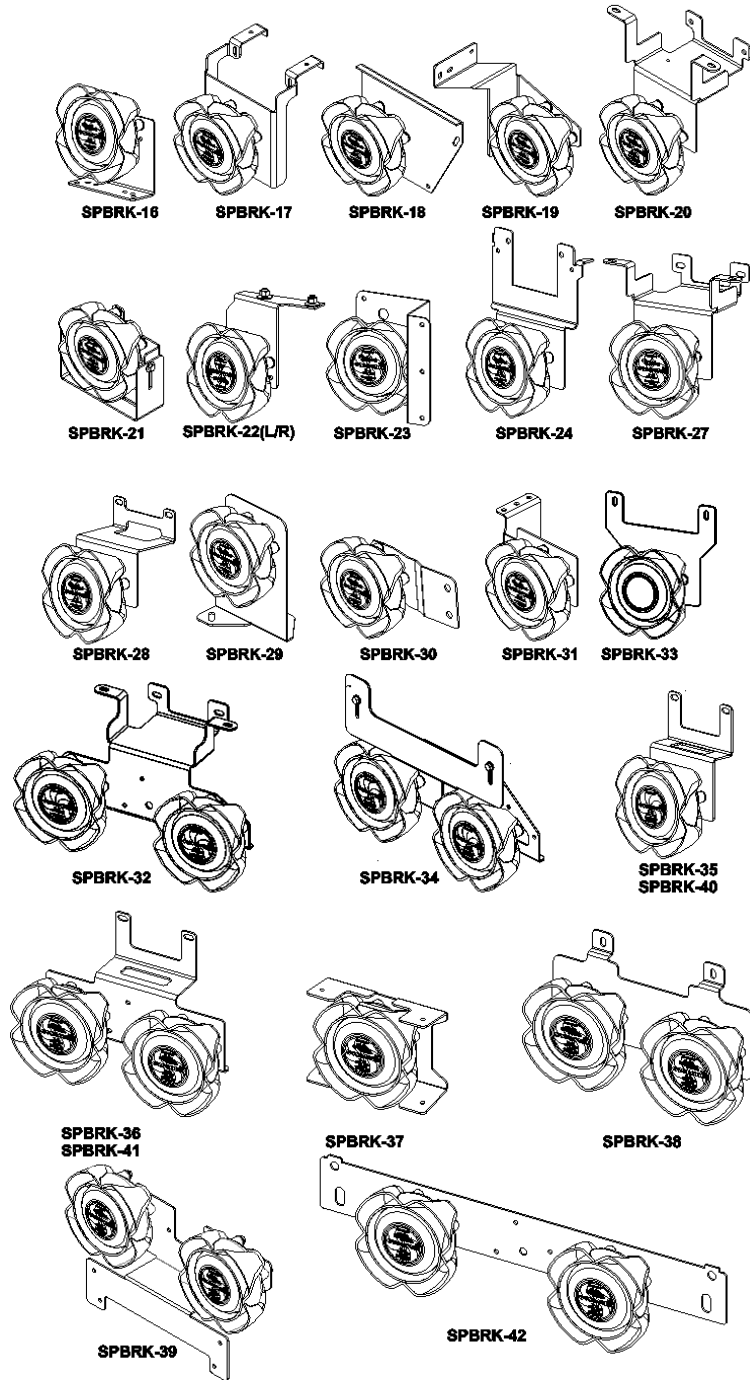
455 Rochester Street Avon, NY 14414
585-226-9500 (F) 888-478-2797
www.StarSafetyTechnologies.com

PLIT427 REV. E 2/15/24

MODEL #	DESCRIPTION/APPLICATION	BRACKET PART #
D-44	SPEAKER ONLY	NO BRACKET
SPBRK-16	UNIVERSAL "L" BRACKET 2004-2005 DODGE DURANGO 2001 FORD TAURUS 2002-2009 FORD EXPLORER 2004-2009 GMC ENVOY 2002-2013 CHEVROLET AVALANCHE 2004-2006 CHEVROLET SUBURBAN / TAHOE	P30150-237P
SPBRK-17	2003-2011 FORD CROWN VICTORIA (CENTER MOUNT)	P30150-238P
SPBRK-18	2007-2014 CHEVROLET SUBURBAN / TAHOE	P30150-239P
SPBRK-19	2006-2013 CHEVROLET IMPALA	P30150-240P
SPBRK-20	2006-2010 DODGE CHARGER 2005-2008 DODGE MAGNUM	P30150-241P
SPBRK-21	TWO PIECE ADJUSTABLE BRACKET	S30150-218, P30150-218AP
SPBRK-22(L/R)	2008-2016 FORD F250 & F350	S30150-260(R/L)
SPBRK-23	2008-2017 FORD E250 & E350	P30150-261P
SPBRK-24	2007-2015 FORD EXPEDITION	P30150-291P
SPBRK-27	2011-2017 DODGE CHARGER	P30150-302P
SPBRK-28	2010-2017 FORD TAURUS	P30150-303P
SPBRK-29	2011-2017 FORD F350	P30150-318P
SPBRK-30	2011-2017 DODGE 4500	P30150-319P
SPBRK-31	2011-2016 CHEVY CAPRICE	P30150-324P
SPBRK-32	2011-2017 DUAL BRACKET FOR DODGE CHARGER	P30150-365P
SPBRK-33	2010-2015 DODGE DURANGO	P30150-366P
SPBRK-34	2010-2017 DUAL BRACKET FOR FORD INTERCEPTOR SUV	P30150-372P
SPBRK-35	2015-2017 CHEVROLET TAHOE AND SUBURBAN	P30150-401P
SPBRK-36	2015-2017 DUAL BRACKET FOR TAHOE AND SUBURBAN	P30150-403P
SPBRK-37	2015-2017 FORD F150	P30150-463P
SPBRK-38	2010-2022 DODGE DURANGO	P30150-484P
SPBRK-39	DUAL BRACKET FOR 2020-2022 DODGE RAM	P30150-495P
SPBRK-40	2021-2023 CHEVROLET TAHOE AND SUBURBAN	P30150-507P
SPBRK-41	DUAL BRACKET FOR 2021-2023 TAHOE AND SUBURBAN	P30150-506P
SPBRK-42	SINGLE OR DUAL BRACKET FOR 2021-2022 FORD F150	P30150-511P

Please visit our website (www.StarSafetyTechnologies.com) for the most up to date applications.

Optional Speaker Bracket Kits



WARNING: ALWAYS WEAR HEARING PROTECTION PER OSHA 1910.95

Please Note: These instructions are provided as a general guideline only. Specific mounting, wiring, and/or weather-sealing may be necessary and are the sole responsibility of the installer. The manufacturer assumes no responsibility for the integrity of the installation for this or any of its products.

ONE YEAR LIMITED WARRANTY

Star Safety Technologies warrants this product against factory defects in material and workmanship for one year after the date of manufacture. The owner will be responsible for returning to the Service Center any defective item(s) with the transportation costs prepaid. The manufacturer will, without charge, repair or replace *at its option*, products, or part(s), which its inspection determines to be defective. Repaired or replacement item(s) will be returned to the purchaser with transportation costs prepaid from the service point. A copy of the purchaser's receipt must be returned with the defective item(s) in order to qualify for the warranty coverage. Exclusions from this warranty include, but are not limited to the finish. This warranty shall not apply to any product, which has been altered, such that in the manufacturer's judgment, the performance or reliability has been affected, or if any damage has resulted from abnormal use or service.

There are no warranties expressed or implied (including any warranty of merchantability or fitness), which extend this warranty period. **The loss of use of the product, loss of time, inconvenience, commercial loss or consequential damages, including costs of any labor, are not covered.** Star reserves the right to change the design of the product without assuming any obligation to modify any product previously manufactured.

This warranty gives you specific legal rights. You might also have additional rights that may vary from state to state. Some states do not allow limitations on how long an implied warranty lasts. Some states do not allow the exclusion or limitation of incidental or consequential damages. Therefore, the above limitation(s) or exclusion(s) may not apply to you.

If you have any questions concerning this or any other product, please contact our **Customer Service Department** at (585) 226-9500.



PROUDLY MADE IN THE USA
An ISO 9001:2015 Certified Company

If you have any questions concerning this or any other product, please contact our **Customer Service Department** at (585) 226-9787.

If a product must be returned for any reason, please contact our Customer Service Department to obtain a Returned Materials Authorization number (RMA #) before you ship the product back.

Please write the RMA # clearly on the package near the mailing label.

STAR

Safety Technologies by *Copote*

455 Rochester Street Avon, NY 14414
585-226-9500 (F) 888-478-2797
www.StarSafetyTechnologies.com