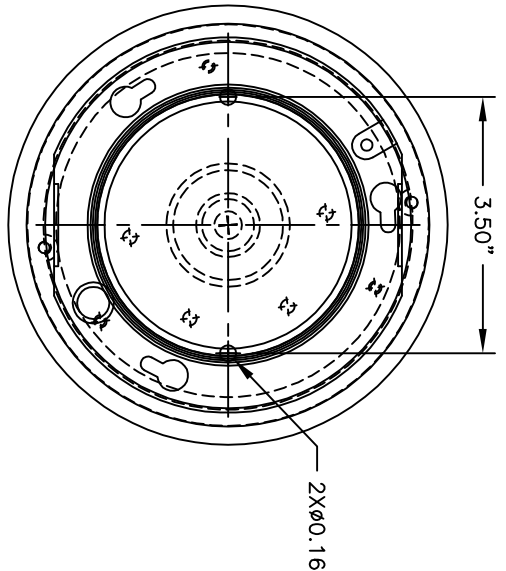
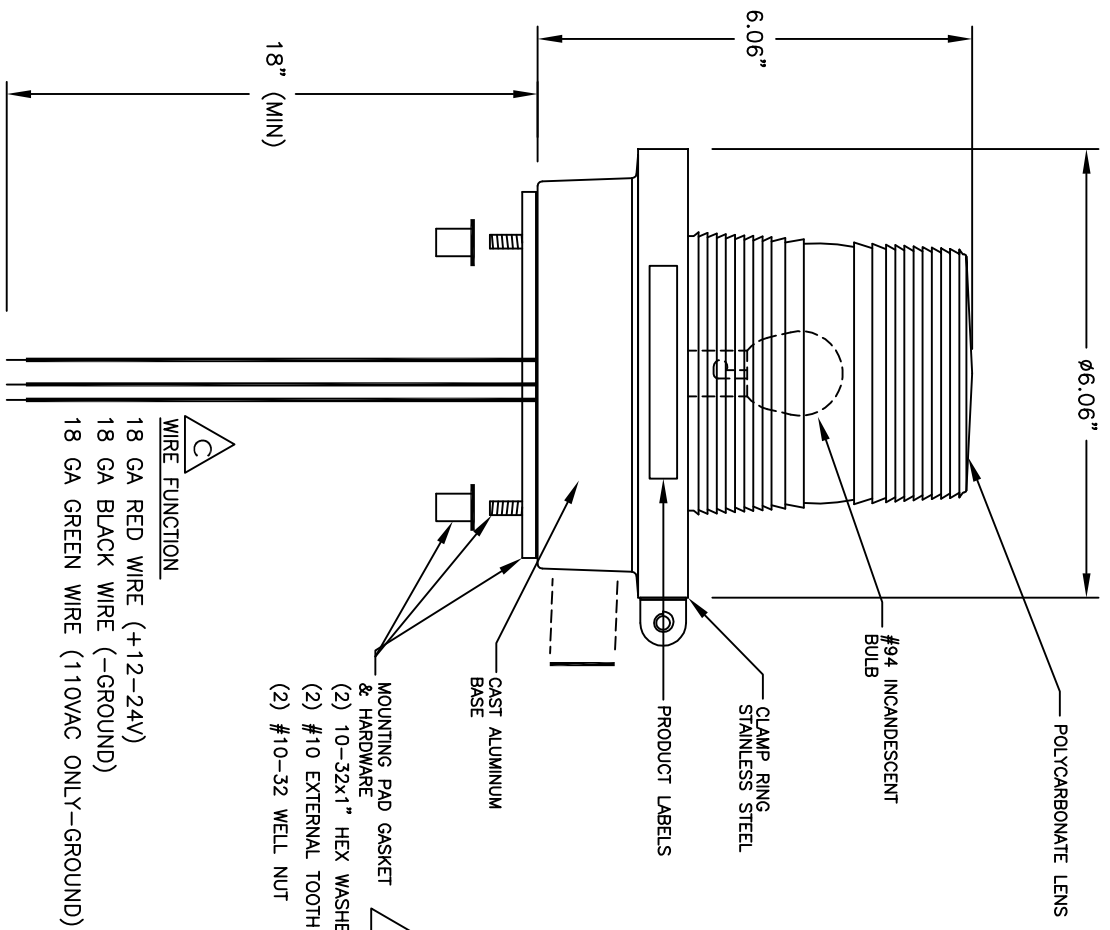


REV.	EGR	DESCRIPTION	DATE
A	1663	INITIAL DRAWING REQUEST	07/10/98
B	8592	ADDED NEW DRAWING FORMAT SCART4000	09/09/09
C	11882	ADDED SPECIFICATIONS, WIRE FUNCTION, MOUNTING PARTS	04/07/14



- WIRE FUNCTION**
- 18 GA RED WIRE (+12-24V)
  - 18 GA BLACK WIRE (-GROUND)
  - 18 GA GREEN WIRE (110VAC ONLY-GROUND)
- MOUNTING PAD GASKET & HARDWARE**
- (2) 10-32x1" HEX WASHER HEAD SCREW
  - (2) #10 EXTERNAL TOOTH LOCKWASHER
  - (2) #10-32 WELL NUT

- NOTES:**
- 1) INSTRUCTION SHEET: P/N PLITSTR43
  - 2) PACKING: SCART4000 UNIT BOX P/N PCART4000 UN BOX INSERT P/N PCART4000CS POLY BAG P/N P30024-12 BOX LABEL BLANK P/N PLABSTR
  - 3) LENS: AMBER, BLUE, CLEAR, GREEN, MAGENTA, RED

**SPECIFICATIONS**

Typical Input Voltage Range: 10-36 VDC  
 Typical Current Draw: 1.0A @ 12/24/36VDC  
 0.2A @ 110-120VAC

Flash Rate:  
 Output Power:  
 Connections: 18" Min. wires exiting the unit.  
 Permanent Mounting: 2 Holes @ 3.50" Center & 1/2"NPT for Pipe mount

Dimensions: (Tall Dome): 6.06" tall x Ø6.06".  
 Individual Shipping weight: 3.0 lbs.

UNLESS OTHERWISE SPECIFIED: DIMENSIONS ARE IN INCHES Drill Tolerances ± 0.003		DRAWN BY: DPL	
DRAWING APPROVED BY EGR		THE INFORMATION CONTAINED IN THIS DRAWING IS THE SOLE PROPERTY OF STAR HEADLIGHT & LANTERN CO., INC. ANY REPRODUCTION IN PART OR AS A WHOLE WITHOUT THE WRITTEN PERMISSION OF STAR HEADLIGHT & LANTERN CO., INC. IS STRICTLY PROHIBITED.	
ROHS COMPLIANT: NA		MODEL: 20FI-* (12-24-36V DC & 110V AC)	
TITLE: MODEL DRAWING		MODEL 20FI SERIES INCANDESCENT LIGHT	
MATERIAL: NA		DWG. NO. 20FI	
FINISH: NA		REV C	
SCALE: NTS		DO NOT SCALE FROM DRAWING SHEET 1 OF 1	

**STAR HEADLIGHT & LANTERN CO., INC.**  
 455 ROCHESTER ST. AVON NY 14414  
 Ph: (585)226-9500 Fax: (585) 226-2029