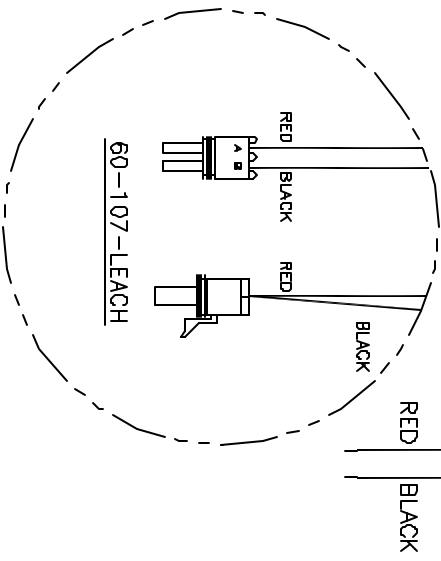
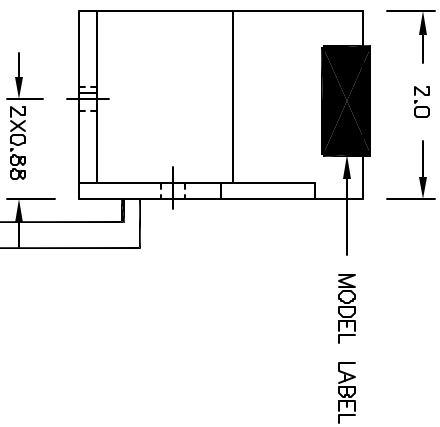
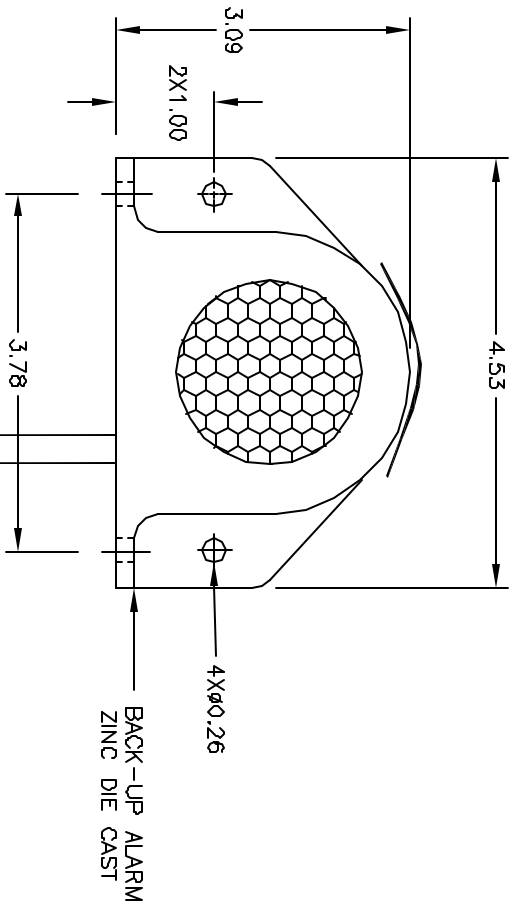


REV.	ECR	DESCRIPTION	DATE
-	8749	INITIAL DRAWING REQUEST	12/02/09



MODELS:

- 60-087
- 60-097
- 60-097DT
- 60-102
- 60-102DT
- 60-107-12
- 60-107-LEACH
- 60-107-24
- 60-707A
- 60-807A

NOTE:

- 1) INSTRUCTION SHEET:
P/N PUTSTR106
- 2) PACKING:
UNIT BOX P/N PCART6102-1
10 X 14 POLY BAG P/N P30024-14
- 3) BOX LABEL BLANK:
P/N PLABSTR
- 4) MODEL LABEL :
P/N PLAB31

UNLESS OTHERWISE SPECIFIED: DIMENSIONS ARE IN INCHES		DRAWN BY: DPL	
TOLERANCES: ANGULAR: ± 2 DEG X ± .100 XX ± .020 XXX ± .005 XXXX ± .001		DRAWING APPROVED BY ECR	
ROHS COMPLIANT: NA		THE INFORMATION CONTAINED IN THIS DRAWING IS THE SOLE PROPERTY OF STAR HEADLIGHT & LANTERN CO., INC. ANY REPRODUCTION IN PART OR AS A WHOLE WITHOUT THE WRITTEN PERMISSION OF STAR HEADLIGHT & LANTERN CO., INC. IS STRICTLY PROHIBITED.	
MATERIAL: NA		DWG. NO. 60-SERIES	
FINISH: NA		SCALE: 1:1 DO NOT SCALE FROM DRAWING	
STAR HEADLIGHT & LANTERN CO., INC. 455 ROCHESTER ST. AVON NY 14414 Ph: (585)226-9500 Fax: (585) 226-2029		REV -	
MODEL: 12 - 36V BACK-UP ALARM		SHEET 1 OF 1	
TITLE: MODEL DRAWING			