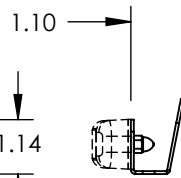
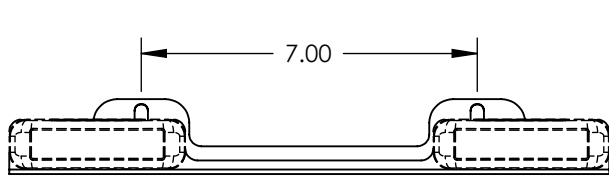
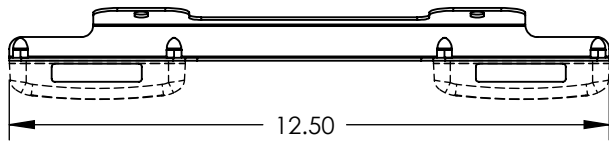
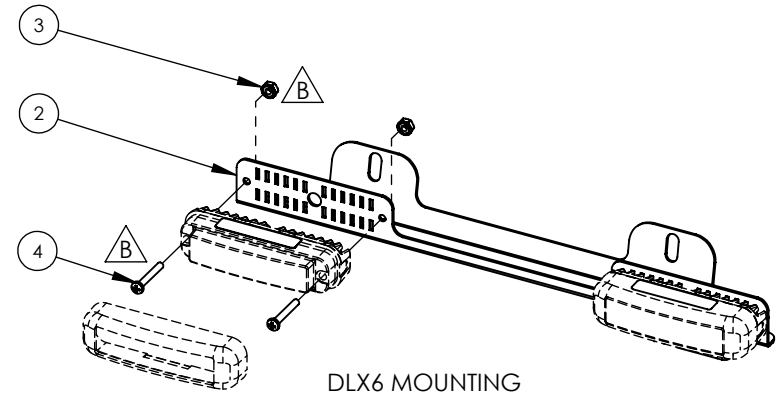
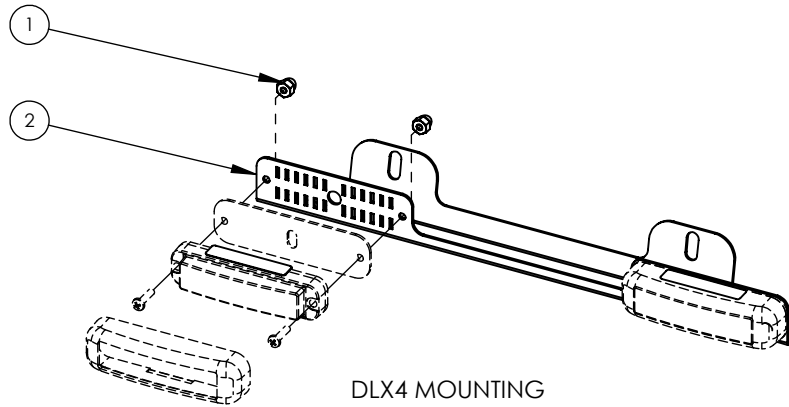


ITEM NO.	PART NUMBER	DESCRIPTION	STAR	GALLS
1	P30092-7	#6-32 ACORN NUT S/S 5/16" THREAD DEPTH	4	4
2	P30150-277P	DLX4-6 LICENCE PLATE BRACKET	1	1
3	P30092-4	6 - 32 KEP NUT	4	4
4	P30052-19	6-32 X 1-1/4 PHILLIPS M/S S/S	4	4
5	P30024-17	7X20 POLY BAG (FOR ENTIRE KIT)	1	1
6	P30024-7	3X4 POLY BAG (FOR HARDWARE)	1	1
7	PLAB21X2WHI	KIT LABEL	1	1
8	PLIT454BKT	STAR INSTRUCTION SHEET	1	-
9	PLIT454GALLS	GALLS INSTRUCTION SHEET	-	1

NOT SHOWN

A

REV.	ECR	DESCRIPTION	DATE
-	9118	INITIAL DRAWING REQUEST	06/15/10
A	9605	ITEM #6 PLIT454BKT WAS PLIT454	3/11/2011
B	10431	ADDED P30052-19 & P30092-4	6/6/2012



UNLESS OTHERWISE SPECIFIED
 DIMENSIONS ARE IN INCHES
 TOLERANCES:
 ANGULAR: ± 2 DEG.
 .X ± .100
 .XX ± .020
 .XXX ± .005
 .XXXX ± .001

RoHS COMPLIANT: Yes
 MATERIAL: N/A
 FINISH: N/A

DRAWN BY: MD
DRAWING APPROVED BY ECR
 THE INFORMATION CONTAINED IN THIS DRAWING IS THE SOLE PROPERTY OF STAR HEADLIGHT & LANTERN CO., INC.. ANY REPRODUCTION IN PART OR AS A WHOLE WITHOUT THE WRITTEN PERMISSION OF STAR HEADLIGHT & LANTERN CO., INC. IS STRICTLY PROHIBITED.

STAR HEADLIGHT & LANTERN CO., INC.
 455 Rochester St. Avon NY 14414
 Ph:(585) 226-9500 Fax: (585) 226-2029

MODEL: 274-DLX4-6-RL
 TITLE: DLX4-6-RL KIT DRAWING

DWG. NO.	274-DLX4-6 RL	REV	B
SCALE: 1:4	DO NOT SCALE FROM DRAWING	SHEET 1 OF 1	