

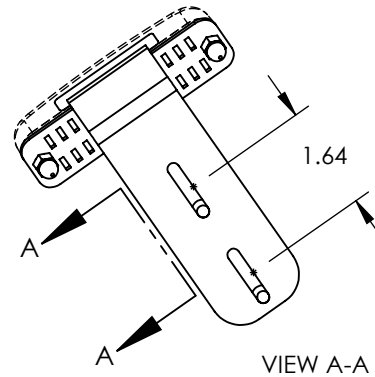
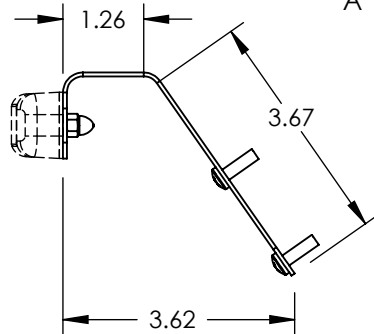
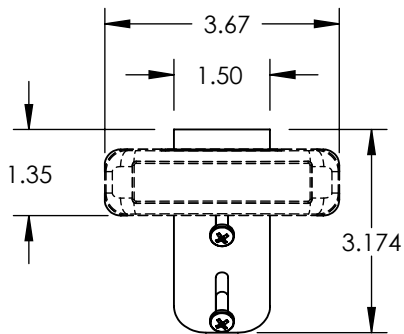
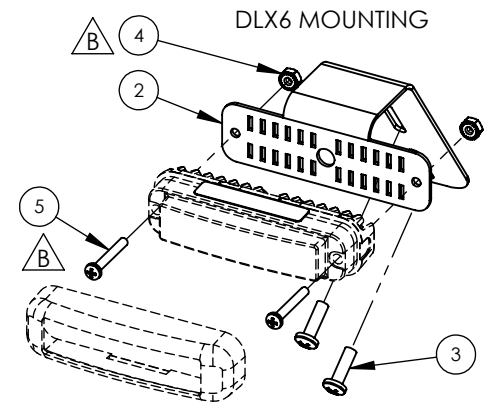
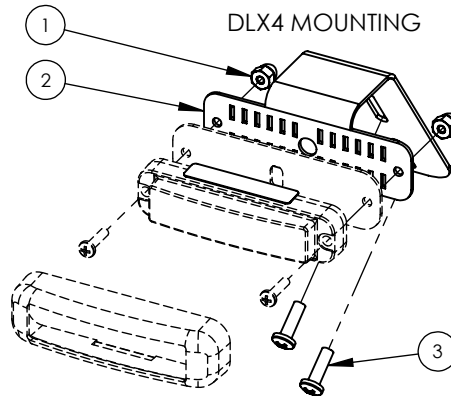
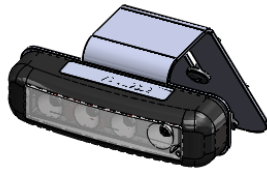
ITEM NO.	PART NUMBER	DESCRIPTION	STAR	GALLS
1	P30092-7	#6-32 ACORN NUT S/S 5/16" THREAD DEPTH	2	2
2	P30150-278P	DLX4-6 TRUNK BRACKET	1	1
3	P30054-23	#10 X 5/8 PHILLIPS SELF TAP TYPE 25 S/S	2	2
4	P30092-4	#6-32 KEP NUT	2	2
5	P30052-19	#6-32 X 1-1/4 PHILLIPS M/S S/S	2	2
6	P30024-7	3X4 POLY BAG (FOR HARDWARE)	1	1
7	P30024-16	5X7 POLY BAG (FOR ENTIRE KIT)	1	1
8	PLAB21X2WHI	KIT LABEL	1	1
9	PLIT454BKT	STAR INSTRUCTION SHEET	1	-
10	PLIT454GALLS	GALLS INSTRUCTION SHEET	-	1

B

A

NOT SHOWN

REV.	ECR	DESCRIPTION	DATE
-	9118	INITIAL DRAWING REQUEST	06/15/10
A	9605	ITEM #7 PLIT454BKT WAS PLIT454	3/11/2011
B	10431	ADDED P30052-19 & P30092-4	6/6/2012



**UNLESS OTHERWISE SPECIFIED**  
 DIMENSIONS ARE IN INCHES  
 TOLERANCES:  
 ANGULAR: ± 2 DEG.  
 .X ± .100  
 .XX ± .020  
 .XXX ± .005  
 .XXXX ± .001

RoHS COMPLIANT: Yes  
 MATERIAL: N/A  
 FINISH: N/A

DRAWN BY: MD  
**DRAWING APPROVED BY ECR**  
 THE INFORMATION CONTAINED IN THIS DRAWING IS THE SOLE PROPERTY OF STAR HEADLIGHT & LANTERN CO., INC.. ANY REPRODUCTION IN PART OR AS A WHOLE WITHOUT THE WRITTEN PERMISSION OF STAR HEADLIGHT & LANTERN CO., INC. IS STRICTLY PROHIBITED.

**STAR HEADLIGHT & LANTERN CO., INC.**  
 455 Rochester St. Avon NY 14414  
 Ph:(585) 226-9500 Fax: (585) 226-2029

MODEL: 274-DLX4-6-T

TITLE:  
**DLX4-6-T KIT DRAWING**

DWG. NO. **274-DLX4-6-T** REV B

SCALE: 1:3 DO NOT SCALE FROM DRAWING SHEET 1 OF 1