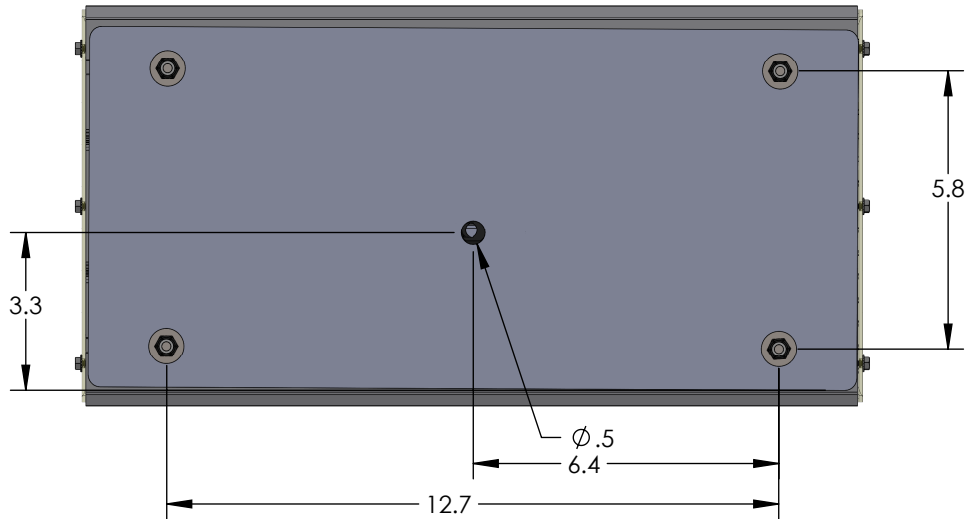


REV.	ECR	DESCRIPTION	DATE
-	15320	INITIAL DRAWING REQUEST	06/29/2018



SPECIFICATION:

TYPICAL INPUT VOLTAGE RANGE: 10.0 - 30.VDC
 TYPICAL CURRENT DRAW: 2.0 - 3.6A
 OPERATING TEMPERATURE RANGE -30C TO 50C

CERTIFICATION:

SAE J845 CLASS 1 - SEE TABLE BELOW

CONNECTIONS: 24.0 +/- 1

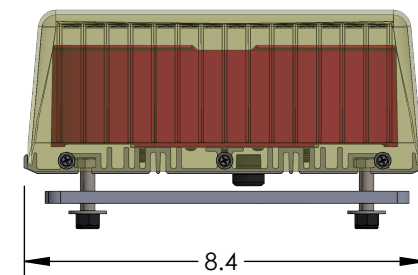
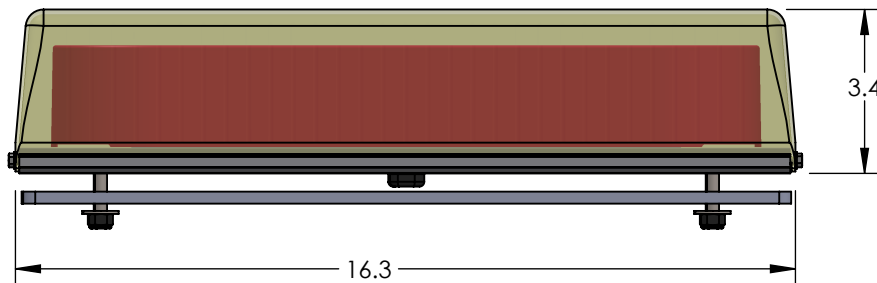
- 18 GA RED - POWER
- 18 GA BLACK - GROUND
- 22 GA WHITE - SYNC.
- 22 GA RED/GREEN - PATTERN SELECT
- 22 GA PURPLE - HI/LOW

PERMANENT MOUNT:

- 1/4-20 X 1 1/4" BOLT (4)
- 1/4 FLAT WASHER (4)
- 1/4-20 HEX NUT (4)

INSTRUCTION SHEET:

1 PROVIDED



MODEL #	APPROVAL MARKINGS
9016LED-AA-A	SAE W3-1 13
9016LED-AA-C	SAE W3-1 13
9016LED-AB	SAE W3-1 13
9016LED-AG	N/A
9016LED-AW	SAE W3-1 13
9016LED-BB	SAE W3-1 13
9016LED-RB	SAE W3-1 13
9016LED-RR-R	SAE W3-1 13
9016LED-RR-C	SAE W3-1 13
9016LED-WW	SAE W3-1 13

UNLESS OTHERWISE SPECIFIED

DIMENSIONS ARE IN INCHES

TOLERANCES:

ANGULAR: ± 2 DEG.

.X ± .100
 .XX ± .020
 .XXX ± .005
 .XXXX ± .001

RoHS COMPLIANT: No

MATERIAL:

N/A

FINISH:

N/A

DRAWN BY: TA
 DRAWING APPROVED BY ECR

THE INFORMATION CONTAINED IN THIS DRAWING IS THE SOLE PROPERTY OF STAR HEADLIGHT & LANTERN CO., INC.. ANY REPRODUCTION IN PART OR AS A WHOLE WITHOUT THE WRITTEN PERMISSION OF STAR HEADLIGHT & LANTERN CO., INC. IS STRICTLY PROHIBITED.

STAR HEADLIGHT & LANTERN CO., INC.

455 Rochester St. Avon NY 14414
 Ph:(585) 226-9500 Fax: (585) 226-2029

MODEL: 9016LED-*

TITLE:
 M-TECH REFLECTOR MINBAR

DWG. NO.

9016LED REV 002

REV

-

SCALE: 1:8

DO NOT SCALE FROM DRAWING

SHEET 1 OF 1