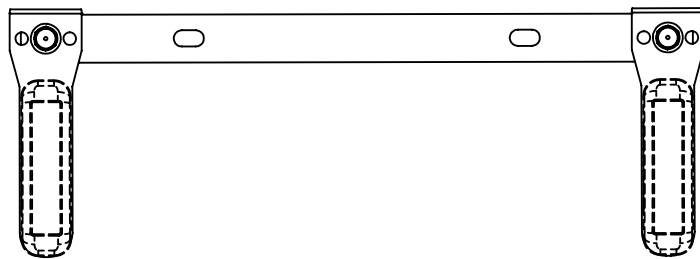
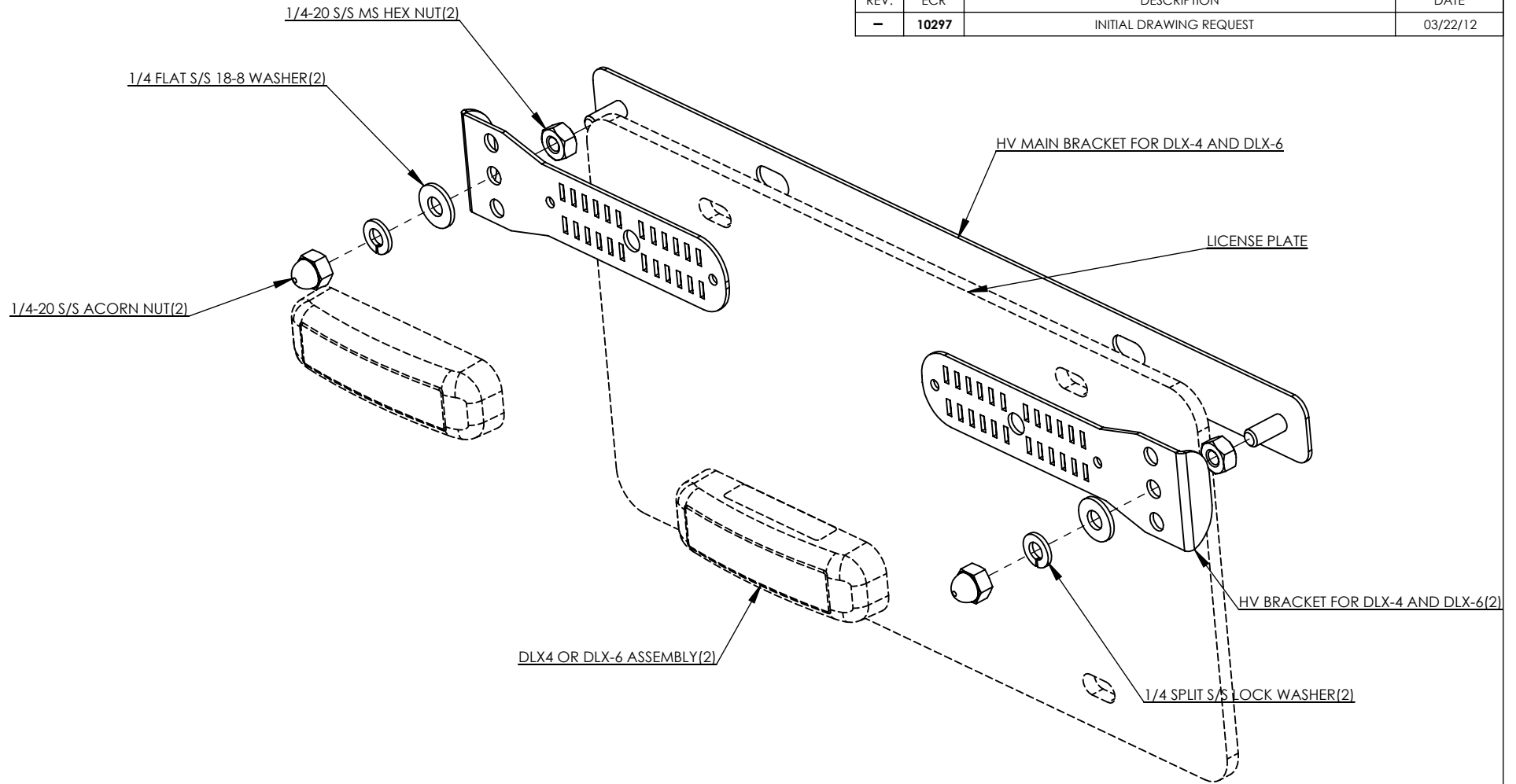


REV.	ECR	DESCRIPTION	DATE
-	10297	INITIAL DRAWING REQUEST	03/22/12



Alternative Position

<b>UNLESS OTHERWISE SPECIFIED</b> DIMENSIONS ARE IN INCHES TOLERANCES: ANGULAR: ± 2 DEG. .X ± .100 .XX ± .020 .XXX ± .005 .XXXX ± .001	DRAWN BY: HB	<b>STAR HEADLIGHT &amp; LANTERN CO., INC.</b> 455 Rochester St. Avon NY 14414 Ph:(585) 226-9500 Fax: (585) 226-2029
	<b>DRAWING APPROVED BY ECR</b> THE INFORMATION CONTAINED IN THIS DRAWING IS THE SOLE PROPERTY OF STAR HEADLIGHT & LANTERN CO., INC.. ANY REPRODUCTION IN PART OR AS A WHOLE WITHOUT THE WRITTEN PERMISSION OF STAR HEADLIGHT & LANTERN CO., INC. IS STRICTLY PROHIBITED.	
RoHS COMPLIANT: Yes	MODEL: BB274-DLX46LPM	
MATERIAL: N/A	TITLE: <b>MODEL DRAWING</b>	
FINISH: N/A	DWG. NO. <b>BB274-DLX46LPM.</b>	REV -
SCALE: 1:4 DO NOT SCALE FROM DRAWING		SHEET 1 OF 1