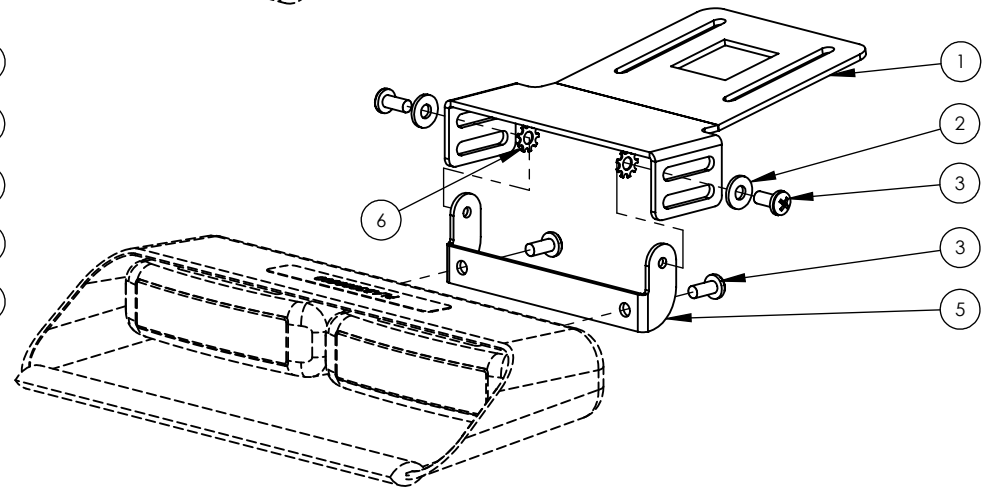
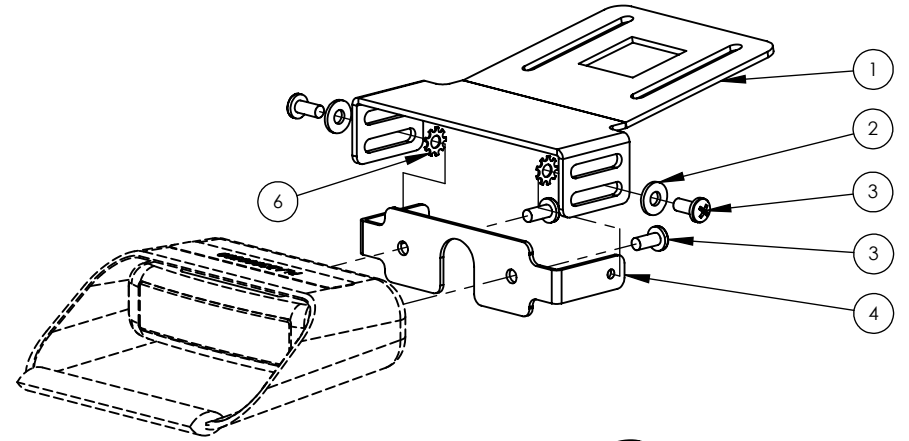
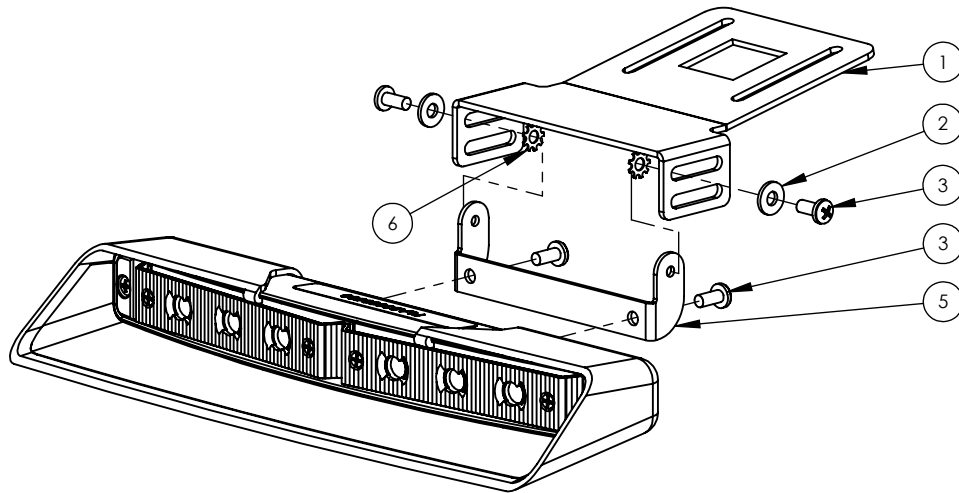


ITEM #	PART NUMBER	DESCRIPTION	QTY.
1	P30150-344P	VISOR CLIP BRACKET	1
2	P30073-4	#8 FLAT WASHER STEEL BLACK	2
3	P30053-24	#8 X 3/8 PHILLIPS PAN TYPE B STEEL BLACK	4
4	P30150-282P	DLX4-6 SINGLE HOOD BRACKET	1
5	P30150-135P	ULB9 ADJUSTABLE BRACKET	1
6	P30073-3	#8 EXT TOOTH WASHER S/S PLAIN	2
*7	P30024-7	3" X 4" ZIP LOCK POLY BAG	1
*8	PLIT491	INSTRUCTION SHEET	1
*9	P30024-16	5" X 7" POLY BAG	1
*10	PLAB21X2WHI	2 X 2 WHITE LABEL	1

\* NOT SHOWN ON DRAWING

REV.	ECR	DESCRIPTION	DATE
-	10993	INITIAL DRAWING REQUEST	02/19/2013



**UNLESS OTHERWISE SPECIFIED**

DIMENSIONS ARE IN INCHES

**TOLERANCES:**

ANGULAR: ± 2 DEG.  
.X ± .100  
.XX ± .020  
.XXX ± .005  
.XXXX ± .001

RoHS COMPLIANT: Yes

MATERIAL: N/A

FINISH: N/A

DRAWN BY: EP

**DRAWING APPROVED BY ECR**

THE INFORMATION CONTAINED IN THIS DRAWING IS THE SOLE PROPERTY OF STAR HEADLIGHT & LANTERN CO., INC.. ANY REPRODUCTION IN PART OR AS A WHOLE WITHOUT THE WRITTEN PERMISSION OF STAR HEADLIGHT & LANTERN CO., INC. IS STRICTLY PROHIBITED.

**STAR HEADLIGHT & LANTERN CO., INC.**

455 Rochester St. Avon NY 14414  
Ph:(585) 226-9500 Fax: (585) 226-2029

MODEL: BB274-DLX-VC

TITLE: VISOR CLIP MOUNTING KIT

DWG. NO. BB274-DLX-VC

REV -

SCALE: 1:4 DO NOT SCALE FROM DRAWING

SHEET 1 OF 1