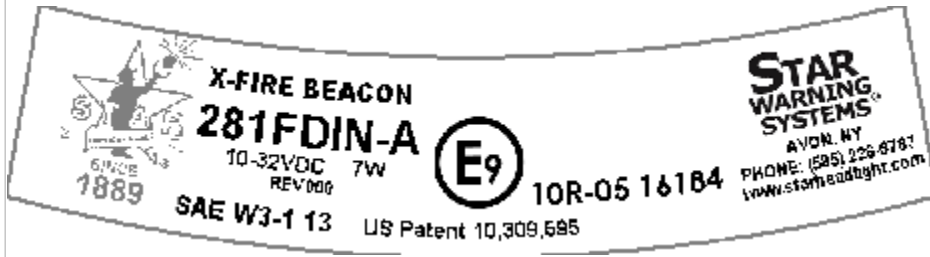


SPECIFICATIONS:

Typical Input Voltage Range: 10-32VDC
 Typical Current Draw: 0.5A@13.5VDC, 0.3A@28.0VDC
 Default Flash Pattern: Default Flash Pattern: 128 Quad flash per minute. (2.1 CPS)
 Lumen maintenance: 70% lumen after 50,000 hours of operation
 Operating Temperature Range: -40C to 65C
 Connections: Standard FLEXI-DIN connector with clamp
 Dimensions: 9.1" [232] tall x 6.3" [160] dia.
 Materials:
 Outer Dome: Polycarbonate
 Base: Polycarbonate

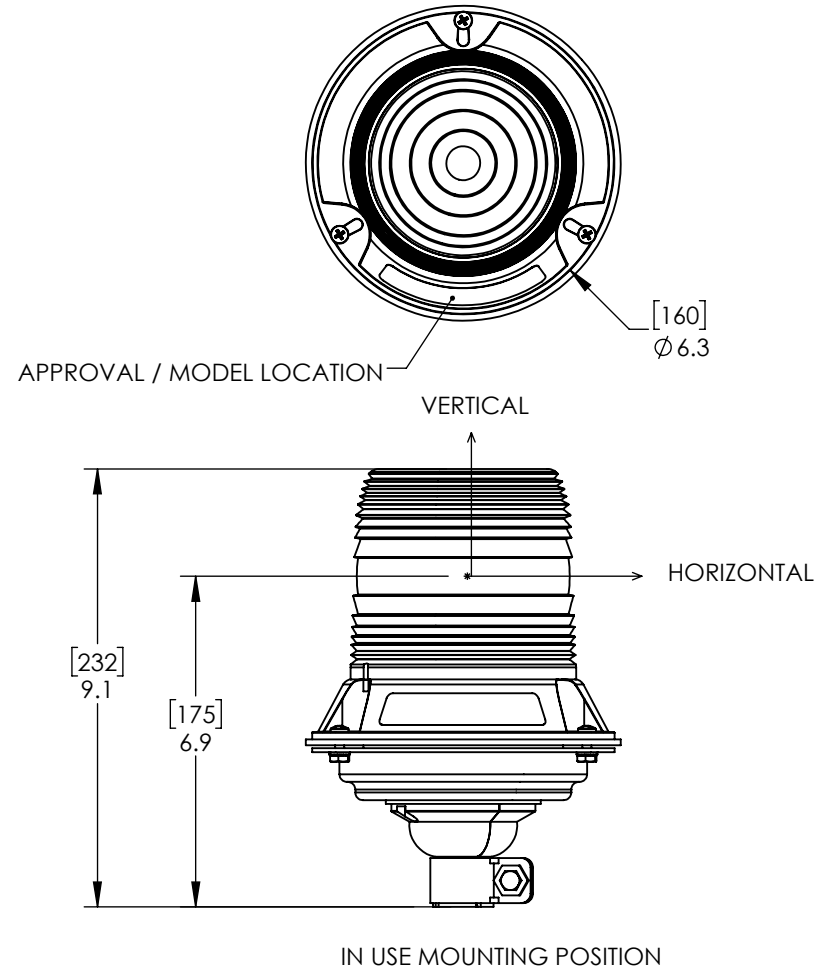


Model Numbers / Descriptions

Classifications for Visual Warning Devices:

MODEL	REG 10	SAE J845	LEDS (8)	DOME COLOR	MOUNT
281FDIN-A	10R-05 16184 E9	CLASS I	WARM WHITE	AMBER	FLEXI-DIN
281FDIN-AC	10R-05 16184 E9	NOT TESTED	PC AMBER	CLEAR	FLEXI-DIN
281FDIN-B	10R-05 16184 E9	CLASS II	COOL WHITE	BLUE	FLEXI-DIN
281FDIN-C	10R-05 16184 E9	CLASS II	COOL WHITE	CLEAR	FLEXI-DIN
281FDIN-G	10R-05 16184 E9	N/A	COOL WHITE	GREEN	FLEXI-DIN
281FDIN-R	10R-05 16184 E9	CLASS II	WARM WHITE	RED	FLEXI-DIN

REV.	ECR	DESCRIPTION	DATE
-	14810	INITIAL DRAWING REQUEST	11/28/17
A	15133	10-32 WAS 9-32. ADDED ECE CERT.	05/22/18
B	16308	ADDED SAE J845 SPEC. UPDATE CURRENT SPEC.	11/21/2018
C	17307	REMOVED REG 65 APPROVAL	6/11/2020



UNLESS OTHERWISE SPECIFIED DIMENSIONS ARE IN INCHES TOLERANCES: ANGULAR: ± 2 DEG. .X ± .100 .XX ± .020 .XXX ± .005 .XXXX ± .001	DRAWN BY: MD	STAR HEADLIGHT & LANTERN CO., INC. 455 Rochester St. Avon NY 14414 Ph:(585) 226-9500 Fax: (585) 226-2029	
	DRAWING APPROVED BY ECR		
RoHS COMPLIANT: Yes	THE INFORMATION CONTAINED IN THIS DRAWING IS THE SOLE PROPERTY OF STAR HEADLIGHT & LANTERN CO., INC.. ANY REPRODUCTION IN PART OR AS A WHOLE WITHOUT THE WRITTEN PERMISSION OF STAR HEADLIGHT & LANTERN CO., INC. IS STRICTLY PROHIBITED.		MODEL: 281FDIN-*
MATERIAL: N/A	FINISH: N/A		TITLE: 281FDIN MODEL
DWG. NO. 281FDIN		REV C	
SCALE: 1:4	DO NOT SCALE FROM DRAWING	SHEET 1 OF 1	