

SPECIFICATIONS:

Typical Input Voltage Range: 10-16VDC

Typical Current Draw: 0.5A@13.5VDC

Default Flash Pattern: Default Flash Pattern: 128 Quad flash per minute. (2.1 CPS)

Lumen maintenance: 70% lumen after 50,000 hours of operation

Operating Temperature Range: -40C to 65C

Connections: 132" [3352] Minimum length wires exiting the unit with cigar plug connector Size A

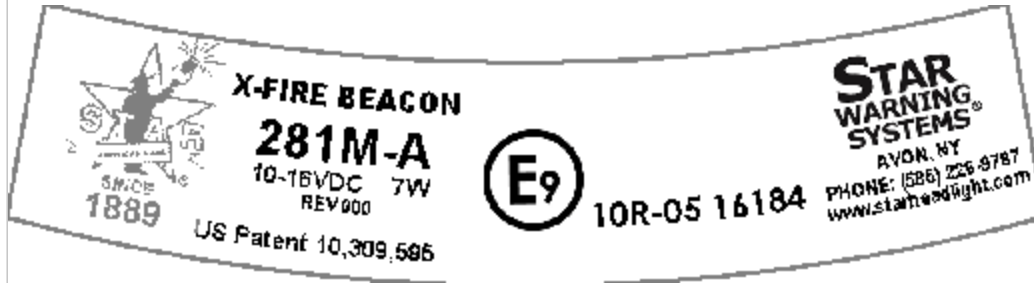
Ceramic Magnet Mounting

Dimensions: 6.7" [170] tall x 6.3" [160] dia.

Materials:

Outer Dome: Polycarbonate

Base: Polycarbonate

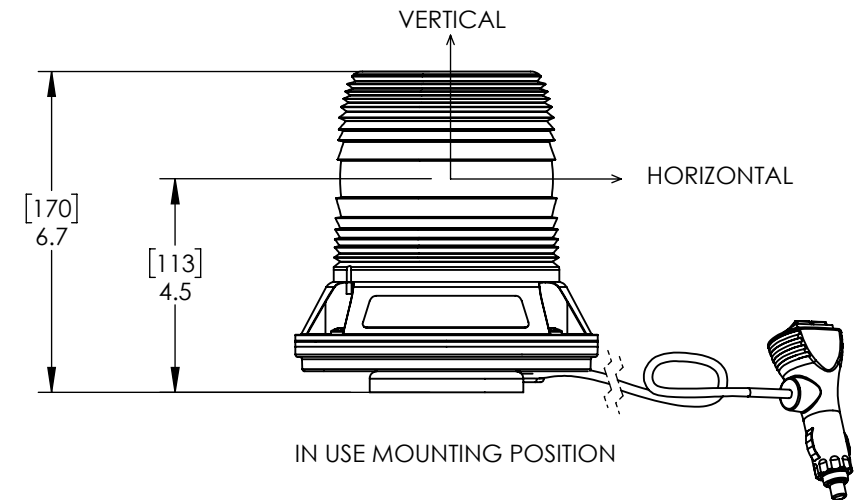
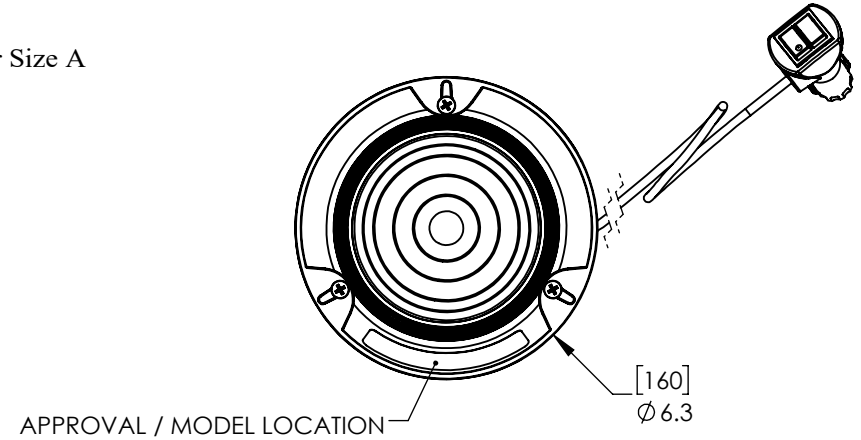


Model Numbers / Descriptions

Classifications for Visual Warning Devices:

MODEL	REG 10	SAE J845	LEDS (8)	DOME COLOR	MOUNT
281M-A	10R-05 16184 E9	CLASS I	WARM WHITE	AMBER	MAG. MOUNT
281M-AC	10R-05 16184 E9	NOT TESTED	PC AMBER	CLEAR	MAG. MOUNT
281M-B	10R-05 16184 E9	CLASS II	COOL WHITE	BLUE	MAG. MOUNT
281M-C	10R-05 16184 E9	CLASS II	COOL WHITE	CLEAR	MAG. MOUNT
281M-G	10R-05 16184 E9	N/A	COOL WHITE	GREEN	MAG. MOUNT
281M-R	10R-05 16184 E9	CLASS II	WARM WHITE	RED	MAG. MOUNT

REV.	ECR	DESCRIPTION	DATE
-	14658	INITIAL DRAWING REQUEST	09/15/17
A	15133	10-16 WAS 9-16. ADDED ECE CERT.	05/22/18
B	16308	ADDED SAE J845 SPEC. UPDATED CURRENT SPEC.	11/21/2018
C	17308	REMOVED REG 65 APPROVAL	6/11/2020



UNLESS OTHERWISE SPECIFIED DIMENSIONS ARE IN INCHES TOLERANCES: ANGULAR: ± 2 DEG. .X ± .100 .XX ± .020 .XXX ± .005 .XXXX ± .001 RoHS COMPLIANT: Yes	DRAWN BY: MD DRAWING APPROVED BY ECR	STAR HEADLIGHT & LANTERN CO., INC. 455 Rochester St. Avon NY 14414 Ph:(585) 226-9500 Fax: (585) 226-2029	
	THE INFORMATION CONTAINED IN THIS DRAWING IS THE SOLE PROPERTY OF STAR HEADLIGHT & LANTERN CO., INC.. ANY REPRODUCTION IN PART OR AS A WHOLE WITHOUT THE WRITTEN PERMISSION OF STAR HEADLIGHT & LANTERN CO., INC. IS STRICTLY PROHIBITED.		MODEL: 281M-* TITLE: 281M MODEL
MATERIAL: N/A FINISH: N/A	DWG. NO. 281M REV C	SCALE: 1:4 DO NOT SCALE FROM DRAWING	SHEET 1 OF 1