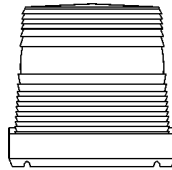


# 201ZLX Series



**Hardwire Models : +12-24VDC**

**Cig Plug Models : +12VDC only**



**These lights utilize high-intensity LEDs. Do not stare directly into the light while it is on, as momentary blindness and/or permanent eye damage may occur.**

## LED FIVE YEAR LIMITED WARRANTY

The manufacturer warrants this LED light against factory defects in material and workmanship for five years after the date of purchase. The owner will be responsible for returning to the Service Center any defective item(s) with the transportation costs prepaid. The manufacturer will, without charge, repair or replace *at its option*, products, or part(s), which its inspection determines to be defective. Repaired or replacement item(s) will be returned to the purchaser with transportation costs prepaid from the service point. A copy of the purchaser's receipt must be returned with the defective item(s) in order to qualify for the warranty coverage. Exclusions from this warranty include, but are not limited to, domes, and/or the finish. This warranty shall not apply to any light, which has been altered, such that in the manufacturer's judgment, the performance or reliability has been affected, or if any damage has resulted from abnormal use or service.

There are no warranties expressed or implied (including any warranty of merchantability or fitness), which extend this warranty period. **The loss of use of the product, loss of time, inconvenience, commercial loss or consequential damages, including costs of any labor, are not covered.** The manufacturer reserves the right to change the design of the product without assuming any obligation to modify any product previously manufactured.

This warranty gives you specific legal rights. You might also have additional rights that may vary from state to state. Some states do not allow limitations on how long an implied warranty lasts. Some states do not allow the exclusion or limitation of incidental or consequential damages. Therefore, the above limitation(s) or exclusion(s) may not apply to you.

If you have any questions concerning this or any other product, please contact our **Customer Service Department** at (585) 226-9787.

If a product must be returned for any reason, please contact our Customer Service Department to obtain a Returned Materials Authorization number (RMA #) before you ship the product back.

Please write the RMA # clearly on the package near the mailing label.



**Star Headlight & Lantern Co., Inc.**

455 Rochester Street Avon, NY 14414 Phone: 585-226-9787 FAX: 888-478-2797

**STAR**  
WARNING  
SYSTEMS

**STAR SIGNAL**  
VEHICLE PRODUCTS

**BRADFORD**  
Vehicle Solutions

[www.starheadlight.com](http://www.starheadlight.com)



CAUTION !!

All of our DC powered warning lights are polarity sensitive. These lights are polarity protected *only if the appropriate fuse* is used. All wires connected to the positive terminal of the battery should be fused at the battery for their rated load. **Testing the light before this fuse is properly installed will void the warranty on the light.**

## ***Magnet Mounting***

### **WARNING!!!!**

Care should be taken when positioning any warning light on the roof, dash, or instrument panel of the vehicle, so that the light and/or cord does not interfere with the proper operation of any airbags! Failure to heed this warning may result in serious or fatal injury.

*If you are mounting the light on the roof of your vehicle, take extreme care to ensure that the magnet is firmly seated on your roof, and that the pull of the magnet is sufficient to secure the light in place. As the composition of the metal in the roofs of different vehicles may vary, as well as the contour, texture, and/or condition, Star cannot guarantee the ability of the light to remain in place upon a moving vehicle. **It is the sole responsibility of the owner to ensure the warning light is secure.***

- **CAUTION:** Please be sure to check that your cigarette plug outlet is properly fused. ***Testing the light before this fuse is properly installed will void the warranty on the light.***
- This light has been factory tested and approved. If the light fails to work when the plug is inserted into the cigarette plug socket, twist the plug a few times to remove any ash or other deposits which might be preventing a good contact from being made. If the problem persists, check for a fuse inside of the plug itself. If present, remove the fuse from the circuit, check to see if it has blown, and clean the lighter socket and contact surfaces. Reconnect the fuse and test the light again.



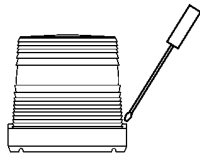
**PROUDLY MADE IN THE USA**  
An ISO 9001:2008 Certified Company

## Pipe Mounting

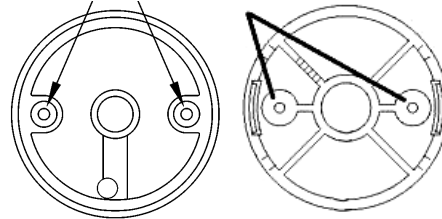
For NPT pipe, mount the light using the threaded entrance hole in the base of the light, then skip to the **Wiring Instructions**.

## Permanent Mounting

1. Remove the dome by using a flathead screwdriver to carefully pry the dome off.



2. Examine the inside of the base and use a punch or drill to remove the knock-outs present.

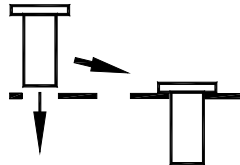


TOP VIEW

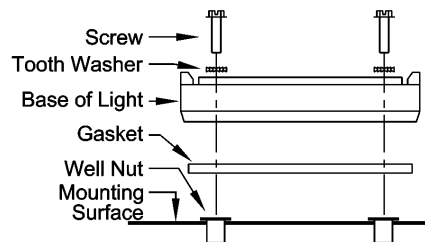
BOTTOM VIEW

3. Using the gasket as a template, mark the mounting holes. Mark a center hole if you will be running your wires through the mounting surface.
4. Drill a 3/8" hole in the **outer two locations**. If you plan to route the wires through the mounting surface, drill a 3/8" hole in the center marked location as well.  
**CAUTION:** Take care not to drill through the headliner of the vehicle below.

5. Push the enclosed rubber well nuts through the outer holes until the bottom side of the wider lip rests on the surface of the vehicle.



6. Place the light on the surface of the vehicle, routing the wires through the center hole or through the channel in the base (if applicable).

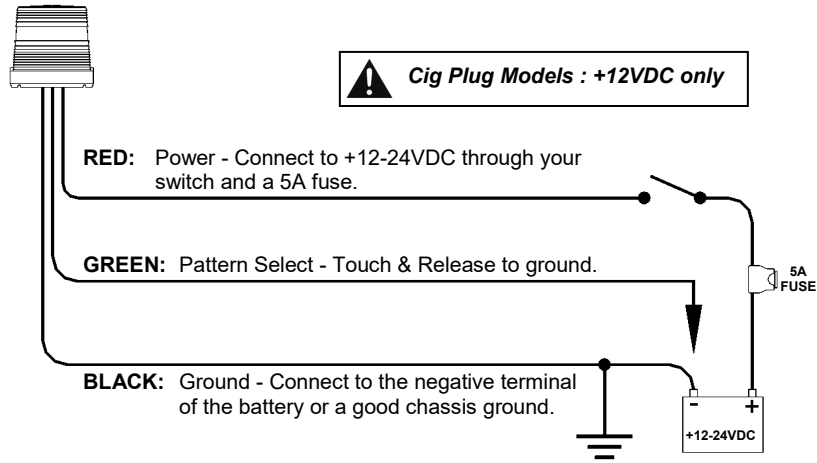


7. To secure the light to your mounting surface, align the holes with the well nuts. Install the two screws through the base, into the well nuts, and tighten until snug.

## Wiring Instructions

**CAUTION:**

All of our DC powered warning lights are polarity sensitive. These lights are polarity protected *only if the appropriate fuse* is used. All wires connected to the positive terminal of the battery should be fused at the battery for their rated load. **Testing the light before this fuse is properly installed will void the warranty on the light.**



## Pattern Programming

To change patterns, press the pattern select button on the cig plug, or touch the **green wire** to ground on hard-wired models.

If applicable, after the pattern has been set, tape or place a wirenut over the end of the green wire to prevent it from coming into contact with ground.



Flash Pattern	Pattern Description	Shortcuts
1	Flicker †	← Pattern 1: 3 sec or 1 flash
2	Fast Doubleflash	
3	Tripleflash †	
4	ECE Quadflash †	
5	ECE Doubleflash †	
6	Quadflash †	← Pattern 4: 6 sec or 2 flash
7	Quadflash w/Post-Pop †	
8	Singleflash †	
9	Doubleflash †	
10	Variable AKA Delta-Omega	
11	Post pop 1.4CPS †	
12	Random 0.4CPS	
NA	Steady	9 sec/3 Blinks

† - SAE J845 approved patterns when properly configured

**Pattern Shortcuts**  
Hold Green wire to ground for indicated time.

**Steady Burn**  
Not in Pattern Cycle. Hold Green wire to ground for 9 seconds (light will flash 3 times).