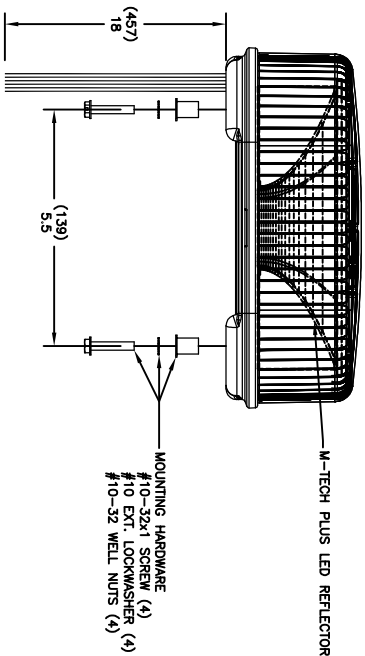
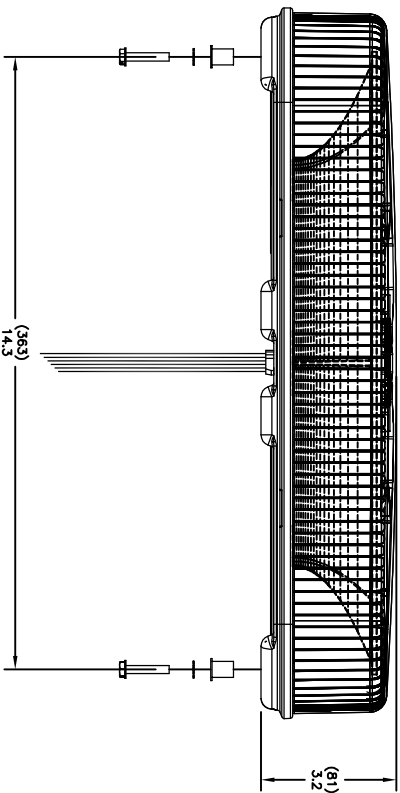
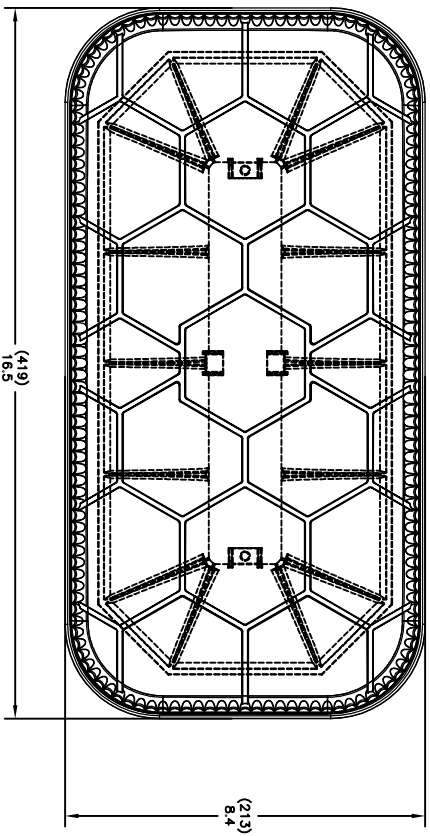


REV.	ECR	DESCRIPTION	DATE
-	17057	INITIAL DRAWING REQUEST	01/23/2020



SPECIFICATIONS:

NOMINAL VOLTAGE RANGE: 12 VDC
 OPERATING VOLTAGE RANGE: 10-16 VDC
 TYPICAL CURRENT DRAW: 2A AVERAGE, 6.5A PEAK @ 12.8VDC
 OPERATING TEMPERATURE: -30C (-22F) TO 50C (122F)

CONNECTIONS:

18 GAGE RED 18" (458mm) LONG, + POWER 2
 18 GAGE ORANGE 18" (458mm) LONG, + POWER 1
 18 GAGE BLACK 18" (458mm) LONG, - GROUND
 22 GAGE PURPLE 18" (458mm) LONG, HI/LOW
 22 GAGE WHITE 18" (458mm) LONG, SYNCHRONIZATION
 22 GAGE RED/GREEN 18" (458mm) LONG, PATTERN SELECT

MATERIALS:

BASE: BLACK POLYCARBONATE
 DOME: CLEAR POLYCARBONATE

CERTIFICATIONS:

SAE J845 CLASS 1
 (SEE TABLE BELOW)

PRODUCT LABEL:

WHITE POLYESTER STOCK 1.5" X .25"

INDIVIDUAL PACKAGING:

APPROXIMATELY 1.8kg (4lbs.)

INDIVIDUAL WHITE BOX

MODEL INFORMATION PRINTED BLACK ON LABEL LOCATED ON SIDE OF BOX

INSTRUCTION SHEET:

1 PROVIDED (ENGLISH)

MODEL	OUTPUT COLOR	DOME COLOR	CERT. MARKING
9100DLED-AB	AMBER/BLUE	CLEAR	SAE W3-1 19
9100DLED-AG	AMBER/GREEN	CLEAR	N/A
9100DLED-AW	AMBER/WHITE	CLEAR	SAE W3-1 19

UNLESS OTHERWISE SPECIFIED:

DIMENSIONS ARE IN INCHES
 Drill Tolerances ± 0.003
 Arrow and board size TOLERANCES:
 ANGULAR: ± 2 DEG.
 X ± .100
 XX ± .020
 XXX ± .005
 XXXX ± .001

DRAWN BY: TA
DRAWING APPROVED BY ECR

THE INFORMATION CONTAINED IN THIS DRAWING IS THE SOLE PROPERTY OF STAR HEADLIGHT & LANTERN CO., INC. ANY REPRODUCTION IN PART OR AS A WHOLE WITHOUT THE WRITTEN PERMISSION OF STAR HEADLIGHT & LANTERN CO., INC. IS STRICTLY PROHIBITED.

STAR HEADLIGHT & LANTERN CO., INC.
 455 ROCHESTER ST. AVON NY 14414
 Ph: (585)226-9500 Fax: (585) 226-2029

MODEL: 9100DLED-**
 TITLE: MODEL DRAWING
 DWG. NO. 9100DLED
 SCALE: 1:1 DO NOT SCALE FROM DRAWING SHEET 1 OF 1
 REV -