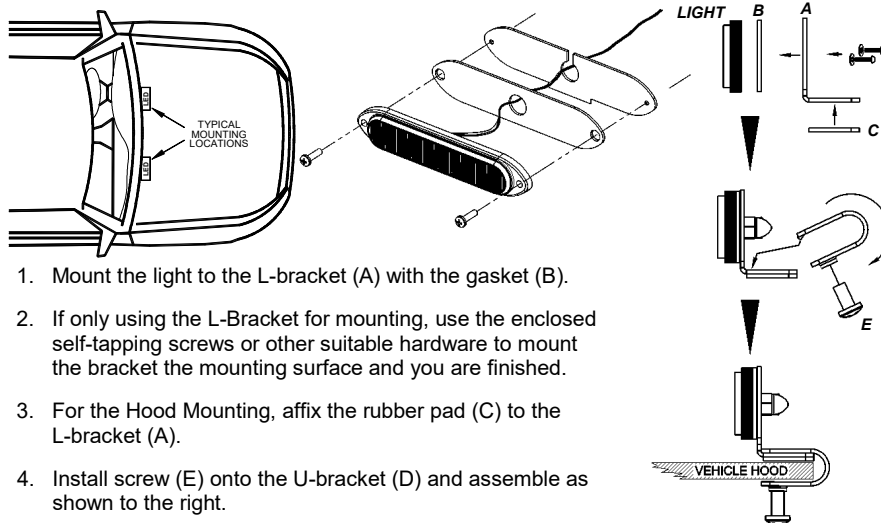


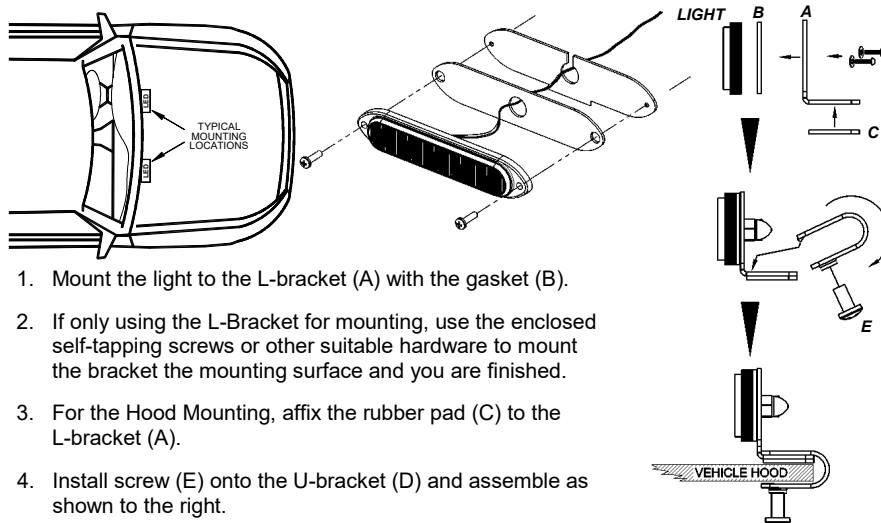
L-Bracket and Hood Clamp Mounting



1. Mount the light to the L-bracket (A) with the gasket (B).
2. If only using the L-Bracket for mounting, use the enclosed self-tapping screws or other suitable hardware to mount the bracket the mounting surface and you are finished.
3. For the Hood Mounting, affix the rubber pad (C) to the L-bracket (A).
4. Install screw (E) onto the U-bracket (D) and assemble as shown to the right.
5. Once installed, have someone stand 20 feet in front of the vehicle to view the lights. Adjust them as needed and fully tighten the Phillips head screws on each light.

PLIT604 REV. - 7/29/20

L-Bracket and Hood Clamp Mounting



1. Mount the light to the L-bracket (A) with the gasket (B).
2. If only using the L-Bracket for mounting, use the enclosed self-tapping screws or other suitable hardware to mount the bracket the mounting surface and you are finished.
3. For the Hood Mounting, affix the rubber pad (C) to the L-bracket (A).
4. Install screw (E) onto the U-bracket (D) and assemble as shown to the right.
5. Once installed, have someone stand 20 feet in front of the vehicle to view the lights. Adjust them as needed and fully tighten the Phillips head screws on each light.

PLIT604 REV. - 7/29/20