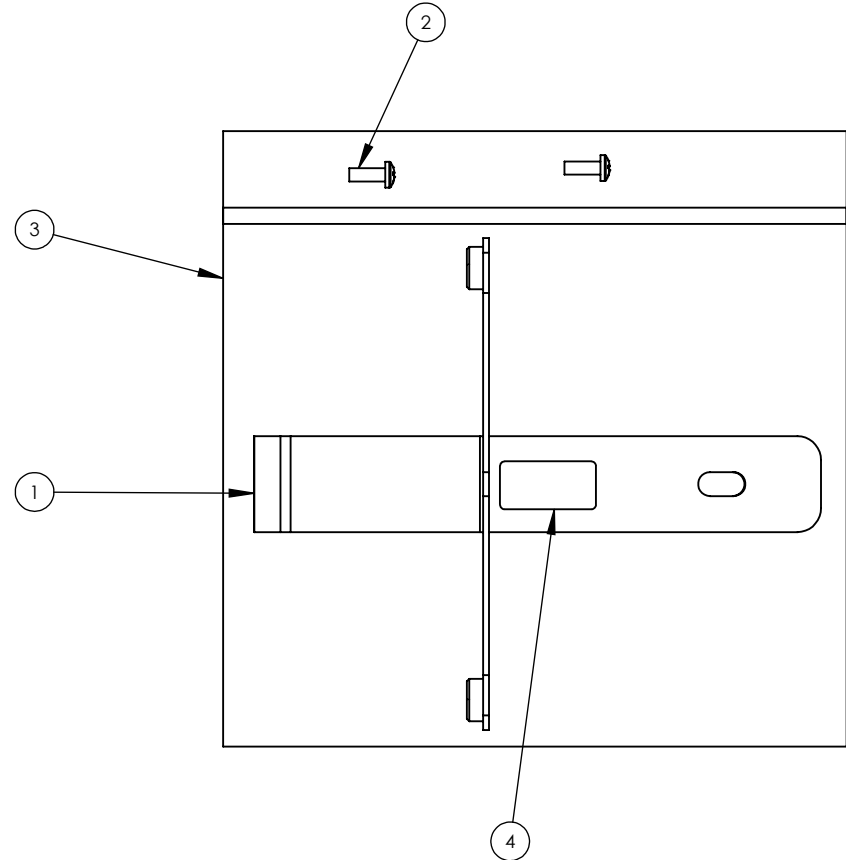


ITEM NO.	PART NUMBER	DESCRIPTION	QTY.
1	S30150-508	DLIT RUNNING BOARD BRACKET	1
2	P30052-24	6-32 X 3/8" PHILIPS, PAN, SS, BLACK	2
3	P30024-19	7X9 POLYBAG	1
4	PLAB21X2WHI	BAG LABEL	1
*5	PLIT616	INSTRUCTION SHEET	1

△  
B

\*NOT SHOWN

REV.	ECR	DESCRIPTION	DATE
A	17735	INITIAL DRAWING REQUEST	2/2/2021
B	18100	P30024-19 WAS P30024-24	7/28/2021



**UNLESS OTHERWISE SPECIFIED**

DIMENSIONS ARE IN INCHES

TOLERANCES:  
 ANGULAR: ± 2 DEG.  
 .X ± .100  
 .XX ± .020  
 .XXX ± .005  
 .XXXX ± .001

RoHS COMPLIANT: Yes

MATERIAL:

N/A

FINISH:

N/A

DRAWN BY: JH

**DRAWING APPROVED BY ECR**

THE INFORMATION CONTAINED IN THIS DRAWING IS THE SOLE PROPERTY OF STAR HEADLIGHT & LANTERN CO., INC.. ANY REPRODUCTION IN PART OR AS A WHOLE WITHOUT THE WRITTEN PERMISSION OF STAR HEADLIGHT & LANTERN CO., INC. IS STRICTLY PROHIBITED.

**STAR HEADLIGHT & LANTERN CO., INC.**

455 Rochester St. Avon NY 14414  
 Ph:(585) 226-9500 Fax: (585) 226-2029

MODEL: 274-DLIT-RB

TITLE:  
**DLIT RUNNING BOARD BRACKET**

DWG. NO.

274-DLIT-RB

REV

B

SCALE: 1:4

DO NOT SCALE FROM DRAWING

SHEET 1 OF 1