

REV.	ECR	DESCRIPTION	DATE
-	15320	INITIAL DRAWING REQUEST	06/29/2018

SPECIFICATION:

TYPICAL INPUT VOLTAGE RANGE: 10.0 - 16.0VDC

TYPICAL CURRENT DRAW: 2.0 - 3.6A

OPERATING TEMPERATURE RANGE -30C TO 50C

CERTIFICATION:

SAE J845 CLASS 1 - NOT MARKED IN PRODUCT

MODEL MEETS OR EXCEEDS SAE REQUIREMENTS WHEN OPERATED IN ONE OF THE APPROVED SAE PATTERNS

CONNECTIONS: 11.0" +/- 1

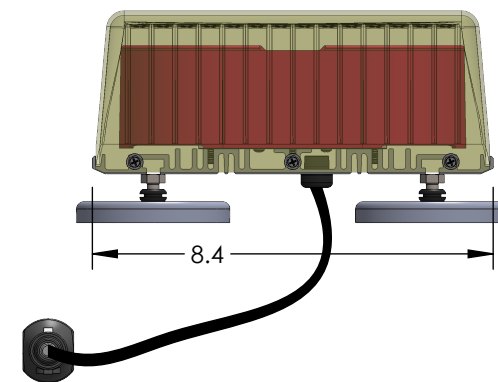
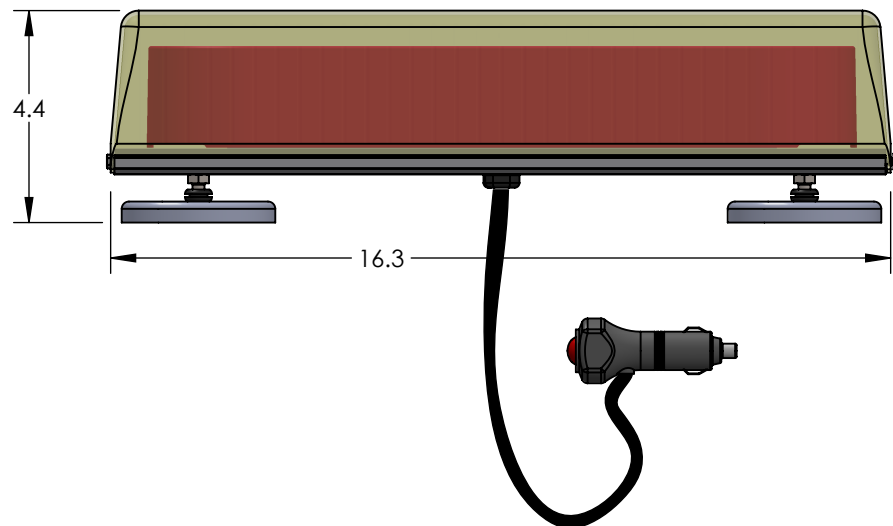
CIG PLUG w/SWITCH

MAGNET MOUNT:

CERAMIC MAGNETS (4)

INSTRUCTION SHEET:

1 PROVIDED



UNLESS OTHERWISE SPECIFIED DIMENSIONS ARE IN INCHES TOLERANCES: ANGULAR: ± 2 DEG. .X ± .100 .XX ± .020 .XXX ± .005 .XXXX ± .001	DRAWN BY: TA	STAR HEADLIGHT & LANTERN CO., INC. 455 Rochester St. Avon NY 14414 Ph:(585) 226-9500 Fax: (585) 226-2029	
	DRAWING APPROVED BY ECR THE INFORMATION CONTAINED IN THIS DRAWING IS THE SOLE PROPERTY OF STAR HEADLIGHT & LANTERN CO., INC.. ANY REPRODUCTION IN PART OR AS A WHOLE WITHOUT THE WRITTEN PERMISSION OF STAR HEADLIGHT & LANTERN CO., INC. IS STRICTLY PROHIBITED.		
RoHS COMPLIANT: No	MODEL: 9016LEDM-*		TITLE: M-TECH REFLECTOR MINBAR MAG MOUNT
MATERIAL: N/A	DWG. NO. 9016LEDM REV 002		REV -
FINISH: N/A	SCALE: 1:8	DO NOT SCALE FROM DRAWING	SHEET 1 OF 1