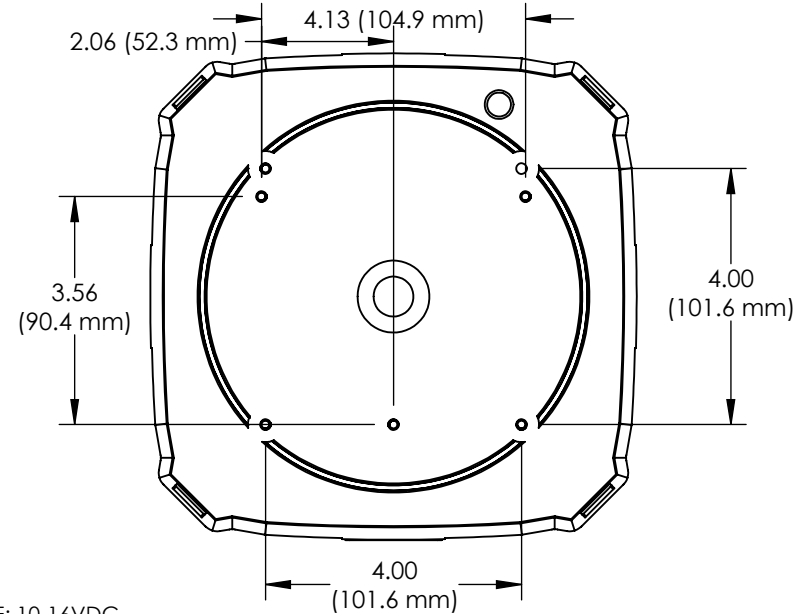


MOUNTING HARDWARE
 #8 EXTERNAL TOOTH LOCK WASHER (4)
 #8-32 X 3/4" HEX HEAD SCREW (4)
 GASKET (FOAM EPDM)
 MOUNTING SURFACE THICKNESS
 MIN = 1/16" MAX = 1/4"

REV.	ECR	DESCRIPTION	DATE
A	17791	INITIAL DRAWING REQUEST	02/03/2021
B	17873	ADDED AGENCY APPROVALS	3/15/2021
C	18470	UPDATED TYPICAL CURRENT DRAW. ADDED CA TITLE 13 DISCLAIMER	5/17/2022



SPECIFICATIONS:

NOMINAL VOLTAGE: 12VDC
 OPERATING VOLTAGE RANGE: 10-16VDC
 TYPICAL CURRENT DRAW: 0.5A AVG. 1.9A PEAK @ 12.8VDC (FOR 9901LED-YY-C, AMBER LEDS)
 TYPICAL CURRENT DRAW: 1.2A AVG. 4.3A PEAK @ 12.8VDC (FOR 9901LED-A, WHITE LEDS)
 OPERATING TEMPERATURE: -30°C (-22F) TO 50°C (122F)

CONNECTIONS:

RED: POWER +12VDC (18 AWG, 17" LONG)
 BLACK: GROUND (-) (18 AWG, 17" LONG)
 GREEN: PATTERN SELECT (20 AWG, 17" LONG)
 WHITE: SYNCHRONIZATION (20 AWG, 17" LONG)
 PURPLE: HI/LO POWER (20 AWG, 17" LONG)

MATERIALS:

BASE: 33% GLASS FILLED 6/6 NYLON
 DOME: POLYCARBONATE

Disclaimer: CA 13 Photometrics were performed using an AMECA Certified SAE Compliant 60 ft light tunnel. While light measurements are consistent with longer tunnels, formal Title 13 certification does require 100 ft. light tunnel

MODEL #	DESCRIPTION	SAE J845 CLASSIFICATIONS	CA TITLE 13
9901LED-A	LED MINIBAR; AMBER DOME, PERMANENT MOUNT; OPERATING VOLTAGE 10-16 VDC	SAE W3-1 19	CLASS E TABLE IV
9901LED-YY-C	LED MINIBAR; CLEAR DOME, PERMANENT MOUNT; OPERATING VOLTAGE 10-16 VDC	SAE W3-1 19	CLASS E TABLE IV

UNLESS OTHERWISE SPECIFIED

DIMENSIONS ARE IN INCHES
 TOLERANCES:
 ANGULAR: ± 2 DEG.
 .X ± .100
 .XX ± .020
 .XXX ± .005
 .XXXX ± .001

RoHS COMPLIANT: YES

MATERIAL: N/A

FINISH: N/A

DRAWN BY: EP

DRAWING APPROVED BY ECR

THE INFORMATION CONTAINED IN THIS DRAWING IS THE SOLE PROPERTY OF STAR HEADLIGHT & LANTERN CO., INC.. ANY REPRODUCTION IN PART OR AS A WHOLE WITHOUT THE WRITTEN PERMISSION OF STAR HEADLIGHT & LANTERN CO., INC. IS STRICTLY PROHIBITED.

STAR HEADLIGHT & LANTERN CO., INC.

455 Rochester St. Avon NY 14414
 Ph:(585) 226-9500 Fax: (585) 226-2029

MODEL: 9901LED

TITLE: MODEL DRAWING

DWG. NO. 9901LED REV C

SCALE: 1:4 DO NOT SCALE FROM DRAWING SHEET 1 OF 1