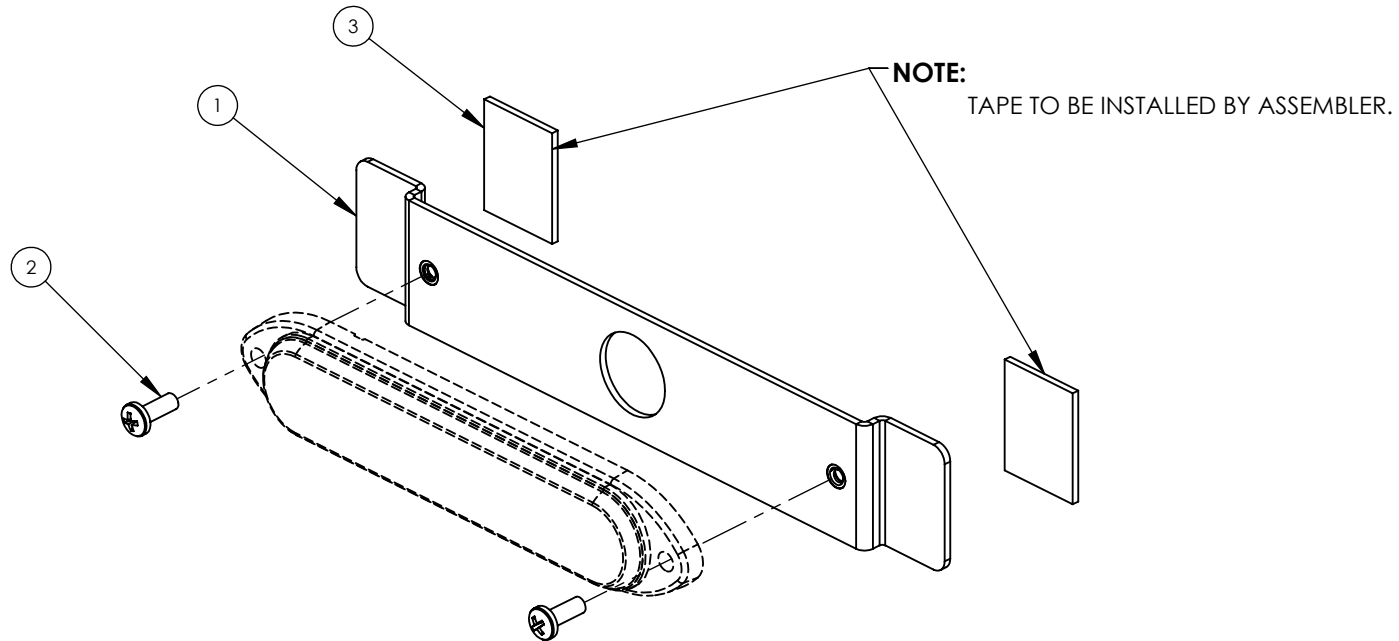


ITEM NO.	PART NUMBER	DESCRIPTION	QTY.
1	S30150-487	DLIT ADHESIVE BRACKET	1
2	P30052-18	6-32 x 3/8 PHILIPS PAN SCREW, S.S.	2
3	P401-4	3M TAPE (VHB 4979F)	.00174
*4	P30024-24	7" X 7" POLY BAG	1
*5	PLAB21X2WHI	KIT LABEL	1

REV.	ECR	DESCRIPTION	DATE
-	16958	INITIAL DRAWING REQUEST	11/26/2019

\* NOT SHOWN



**UNLESS OTHERWISE SPECIFIED**

DIMENSIONS ARE IN INCHES

**TOLERANCES:**

ANGULAR: ± 2 DEG.  
.X ± .100  
.XX ± .020  
.XXX ± .005  
.XXXX ± .001

RoHS COMPLIANT: Yes

MATERIAL: N/A

FINISH: N/A

DRAWN BY: EP

**DRAWING APPROVED BY ECR**

THE INFORMATION CONTAINED IN THIS DRAWING IS THE SOLE PROPERTY OF STAR HEADLIGHT & LANTERN CO., INC.. ANY REPRODUCTION IN PART OR AS A WHOLE WITHOUT THE WRITTEN PERMISSION OF STAR HEADLIGHT & LANTERN CO., INC. IS STRICTLY PROHIBITED.

**STAR HEADLIGHT & LANTERN CO., INC.**

455 Rochester St. Avon NY 14414  
Ph:(585) 226-9500 Fax: (585) 226-2029

MODEL: 274-DLIT-RT

TITLE: DLIT ADHESIVE BRACKET KIT

DWG. NO. ADSVP-274-DLIT-RT

REV -

SCALE: 1:2 DO NOT SCALE FROM DRAWING SHEET 1 OF 1