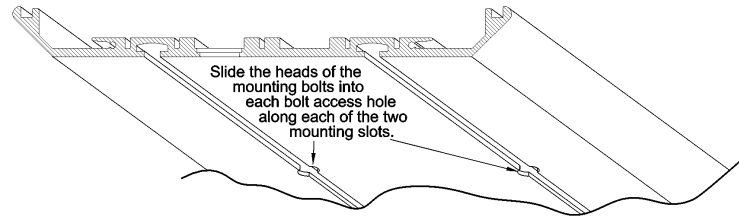


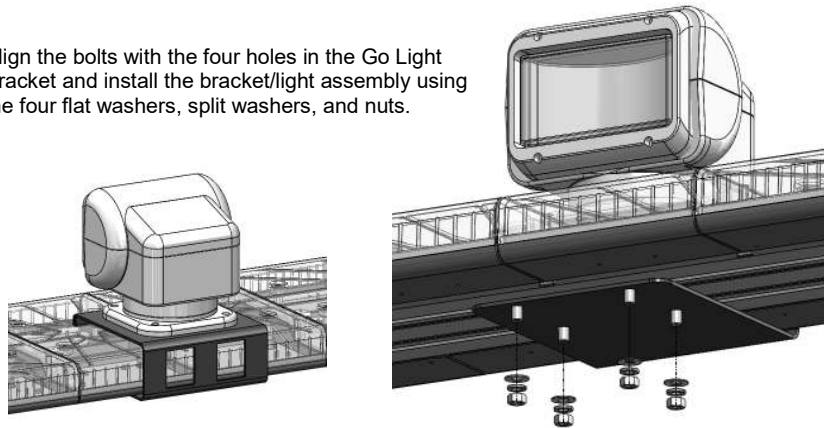
Go Light Bracket

Go Light Installation Bracket for Star Lightbars

1. Follow the instructions included with the Go Light and mount it to the bracket using the hardware enclosed with the Go Light.
2. Slide two carriage bolts into each of the slots on the bottom of your lightbar.



3. Align the bolts with the four holes in the Go Light Bracket and install the bracket/light assembly using the four flat washers, split washers, and nuts.



4. Center the light and tighten the hardware to secure the bracket to the lightbar.

