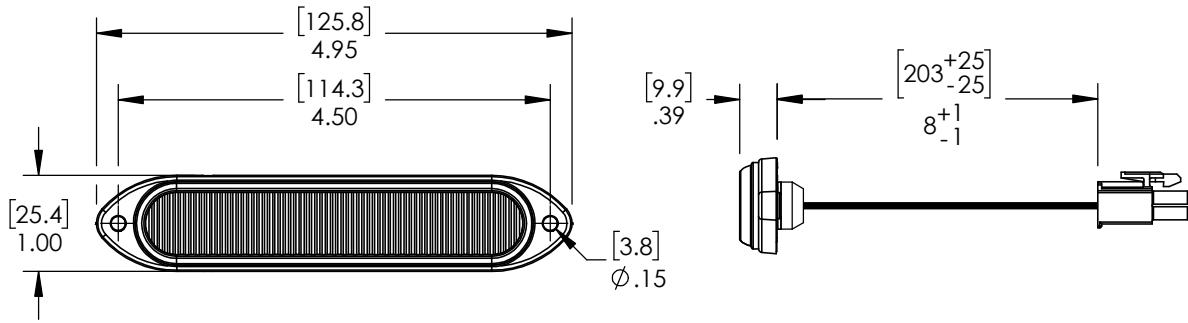
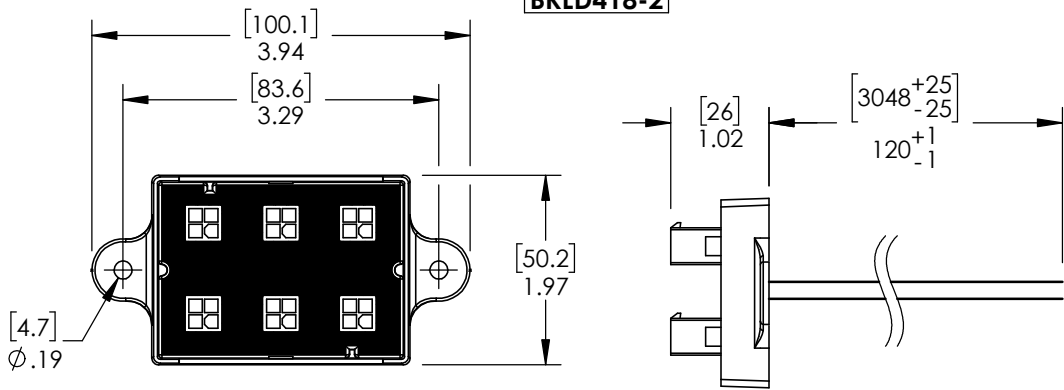


REV.	ECR	DESCRIPTION	DATE
-	17628	INITIAL DRAWING REQUEST	11/13/20

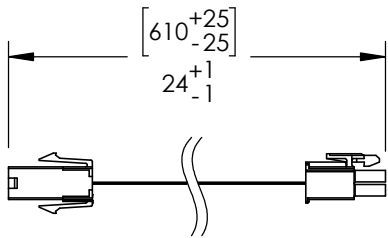
BKDLITE



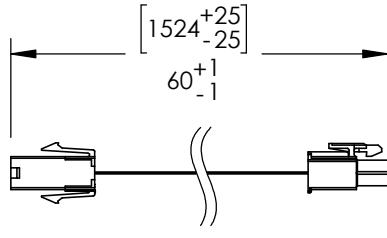
BKLD418-2



SWH-346-2



SWH-346-5



SPECIFICATIONS:

OPERATING RANGE: 10-30VDC
 NOMINAL VOLTAGE: 12/24V
 TYPICAL CURRENT DRAW: 0.55 A @ 12.8V PER HEAD
 OPERATING TEMPERATURE: -40 TO 55°C

CONSTELLATION CONNECTIONS:

MODULE: 4-POSITION PLUG CONNECTOR
 EXTENSION CABLES: 4-POSITION PLUGS & RECEPTACLES
 CONNECTOR BOX: 6-OUTLET RECEPTACLE CONNECTORS

WIRE CONNECTORS:

14-16 AWG PERMA-SEAL BUTT SPLICE
 18-20 AWG PERMA-SEAL BUTT SPLICE

INSTALLATION:

MODULE: 2-HOLE MOUNT 4.5" (114MM)
 CABLE: 4" ZIP TIES
 HARDWARE: (2) #6 X 5/8" SELF TAPPING S/S SCREW

MATERIALS:

MODULE LENS: POLYCARBONATE
 MOUNTING HARDWARE: STAINLESS STEEL
 HEAT SINK: DIE CAST ALUMINUM
 MOUNTING GASKET: EPDM FOAM RUBBER

CERTIFICATIONS:

SAE J595
 SEE CHART

PACKAGING:

APPROXIMATELY 4.75lbs

INSTRUCTION SHEET:

1 PROVIDED ENGLISH

UNLESS OTHERWISE SPECIFIED

DIMENSIONS ARE IN INCHES

TOLERANCES:

ANGULAR: ± 2 DEG.

.X ± .100
 .XX ± .020
 .XXX ± .005
 .XXXX ± .001

RoHS COMPLIANT: Yes

MATERIAL: N/A

FINISH: N/A

DRAWN BY: MB

DRAWING APPROVED BY ECR

THE INFORMATION CONTAINED IN THIS DRAWING IS THE SOLE PROPERTY OF STAR HEADLIGHT & LANTERN CO., INC.. ANY REPRODUCTION IN PART OR AS A WHOLE WITHOUT THE WRITTEN PERMISSION OF STAR HEADLIGHT & LANTERN CO., INC. IS STRICTLY PROHIBITED.

STAR HEADLIGHT & LANTERN CO., INC.

455 Rochester St. Avon NY 14414
 Ph:(585) 226-9500 Fax: (585) 226-2029

MODEL:

TITLE:

SCHOOL BUS AUX. LIGHT KIT

DWG. NO.

BKSCHOOL1

REV

-

SCALE: 1:4

DO NOT SCALE FROM DRAWING

SHEET 1 OF 1

MODEL	DESCRIPTION	CERT MARKING
BKDLITE-RR	10-30VDC; 0.55A; BLACK BEZEL; FLUSH MOUNT; FOUR WIRE; S-LINK+; 6 LED'S; WIDE SPREAD LENS; CONSTELLATION CONNECTOR.	SAE CLASS I